

Classification Yard Track Skates

Description:

G&B Specialties' rail skate is a heavy duty device used to stop railcars moving at normal switching speeds. These skates are made for severe service, especially in classification yards, where long and very heavy trains are being formed. The skate is placed in front of the moving railcar. The sharp, tapered tail of the skate lets the wheel mount and slide with the skate. A hardened high back prevents the wheel from jumping over. The ensuing friction brings the railcar to a gradual stop. Standard color is aluminum; however, fluorescent orange and safety yellow is available for increased night visibility.



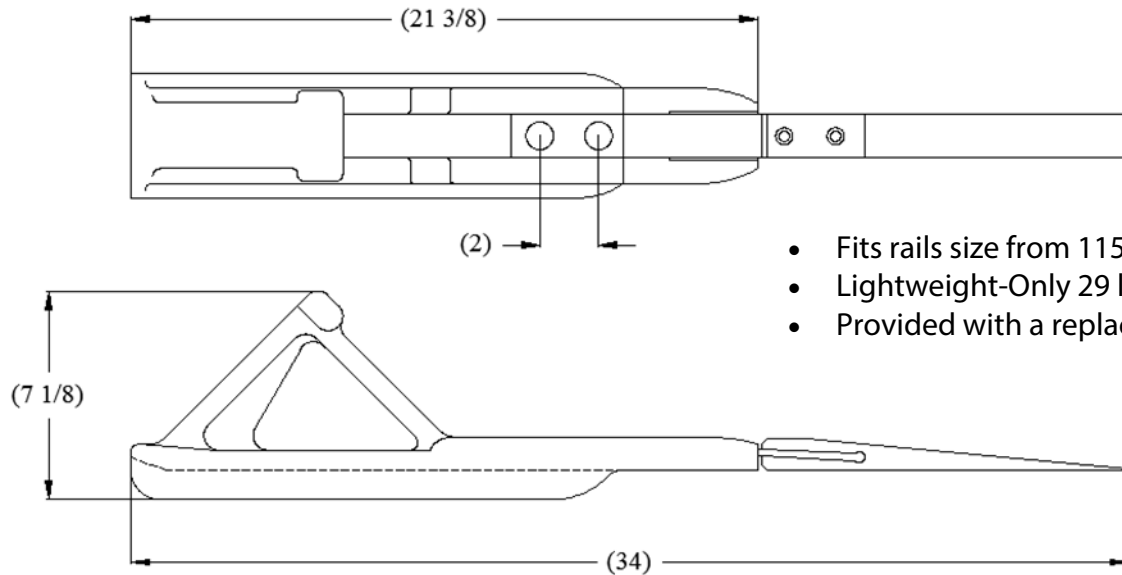
Model 898540



Model 898550

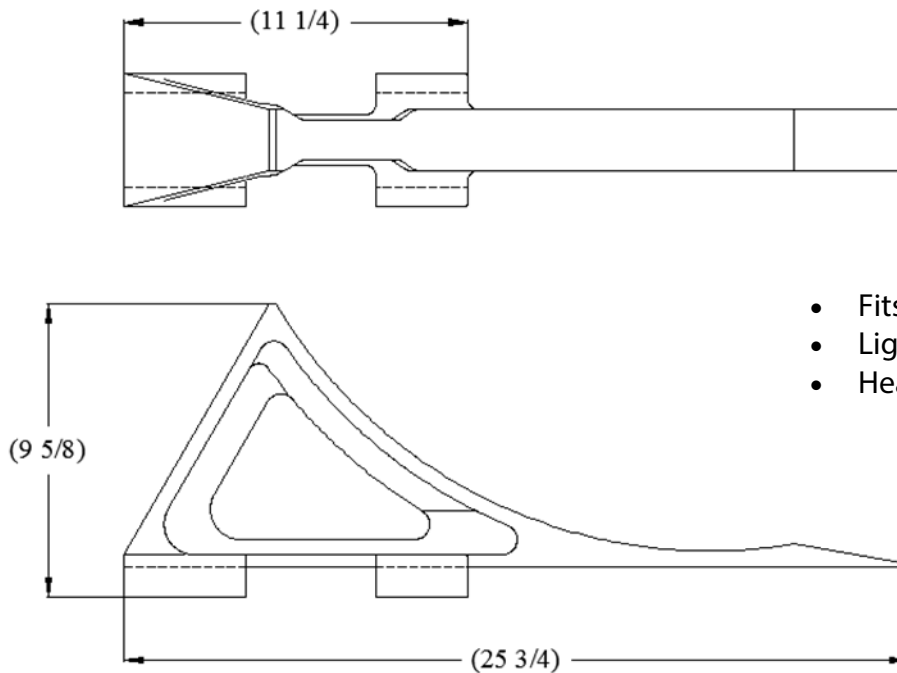
PART NUMBER	DESCRIPTION	COLOR
898540X	Skate Complete, Two-Piece	Safety Aluminum
898540-001-01	Skate Complete, Two-Piece	Fluorescent Orange
898540-001-03	Skate Complete, Two-Piece	Safety Yellow
898543X	Replacement Skate Tail, With Rivets	-
898550-001-01	Skate Complete, One-Piece	Fluorescent Orange
898550-001-02	Skate Complete, One-Piece	Safety Yellow
898550-001-03	Skate Complete, One Piece	Safety Aluminum

Classification Yard Track Skates



- Fits rails size from 115lb and above
- Lightweight-Only 29 lbs
- Provided with a replaceable tail

Model 898540



- Fits rails size from 85lb to 140lb
- Lightweight-Only 23 lbs
- Heavy Duty and easy to carry

Model 898550

G&B Specialties
P.O. Box 305
535 West Third Street
Berwick, PA 18603
570-752-5901
www.gandbspecialties.com

