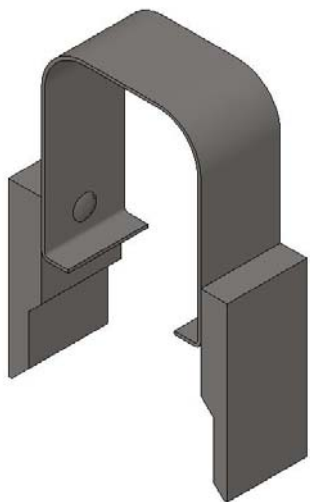


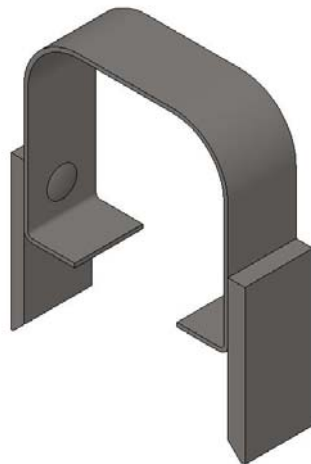
Switch Obstruction Gauge

Description:

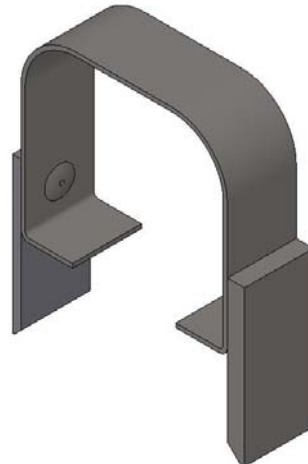
G&B Switch Obstruction Gauge allows for one person to operate the switch and make the necessary circuit controller adjustments without dislodging the gage. The obstruction surfaces are machined for accuracy and finished with a zinc dichromate finish for corrosion resistance. Metric sizes are available; please contact sales for more information.



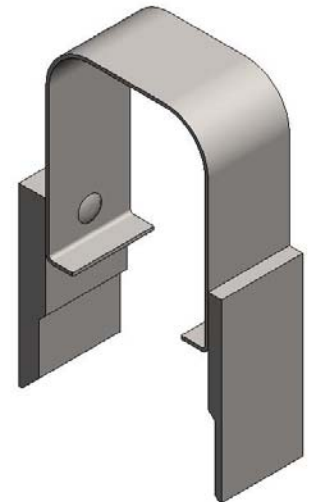
977720-002
1/4, 3/8, 1/2 and 5/8
Gage



977720-003
3/16 and 1/4 Gage



977720-004
1/8 and 1/4 Gage



977720-005
1/8, 1/4, 3/8 and 1/2
Gage

G&B Specialties
P.O. Box 305
535 West Third Street
Berwick, PA 18603
570-752-5901
www.gandbspecialties.com

 **G&B Specialties**
A Wabtec subsidiary

Rev B 07-29-2015