

4

3

2

1

CURRENT REVISION	REVISIONS					
	CC	REV	DESCRIPTION	DATE	BY	APPR
B	-	B	ADDED TOP VIEW, NOTES. SEE ECRN	F160627A	JAO	MSP

FP-5 COUPLING GASKET

HOSE MARKING

"TOP" MARKING ON NIPPLE ORIENTED AS SHOWN

FPS-5 COUPLING STRAIGHT SHANK

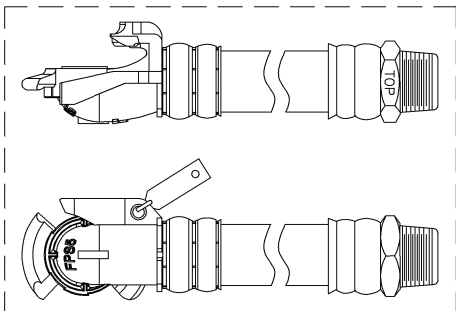
AAR YELLOW TAG

AAR M-601 AIR BRAKE HOSE (1-3/8" ID)

1-1/4" NPT NIPPLE

22 (NOMINAL HOSE LENGTH)

26-3/4



COUPLING CONFIGURATION FOR P/N 0665181-0001 ONLY

PIECE NUMBER	APPEARANCE OF FITTINGS
0665181	BLACK (PAINTED)
0665181-0001	YELLOW (PLATED)

NOTES:

- HOSE AND HOSE ASSEMBLY: COMPLIANT TO AAR M-601.
- COUPLING: COMPLIANT TO AAR S-455, S-456 & S-491.
- NIPPLE: COMPLIANT TO AAR S-455 & S-491.
- FERRULE: COMPLIANT TO AAR S-491.
- HOSE MARKING: COMPLIANT TO AAR M-601 & S-441.
- GASKET: COMPLIANT TO AAR M-602.
- COUPLING, NIPPLE & FERRULE GEOMETRY AND FINISH MAY VARY, BUT MEET AAR REQUIREMENTS.
- HOSE ENDS ARE CAPPED OR PLUGGED FOR SHIPMENT; ALL CAPS AND PLUGS MUST BE REMOVED AT THE TIME OF INSTALLATION.
- P/N 0665181-0001 MAY BE SUBSTITUTED FOR P/N 0665181, WITH THE PERMISSION OF THE CUSTOMER.
- P/N 0665181 MAY BE SUBSTITUTED FOR P/N 0665181-0001, WITH THE PERMISSION OF THE CUSTOMER.
- AAR YELLOW TAG: COMPLIANT TO AAR FIELD MANUAL RULE 5.

IMPORTANT: DO NOT ATTEMPT TO DISSASSEMBLE OR ASSEMBLE THIS DEVICE WITHOUT PRIOR THOROUGH STUDY OF THE APPROPRIATE WABTEC OPERATION AND MAINTENANCE MANUAL. THIS DRAWING WAS PREPARED SOLEY FOR THE PURPOSE OF PROVIDING THE USER WITH BASIC APPLICATION DATA. IT DOES NOT CONTAIN ALL THE REQUIRED SPECIAL INSTALLATION AND MAINTENANCE INFORMATION FOR THE PROPER FUNCTIONING OF THIS PRODUCT.

THIS DOCUMENT CONTAINS PROPRIETARY AND CONFIDENTIAL DATA OF WABTEC. NO DISCLOSURE, REPRODUCTION, OR USE OF ANY PART THEREOF MAY BE MADE WITHOUT THE WRITTEN PERMISSION OF THE COMPANY.



22" STR SHANK END HOSE OUTLINE

THIRD ANGLE PROJECTION	DRAWN: JAO 050113	CHECKED: GLJ 050114	APPROVED: MSK F050113A
SCALE	DWG SIZE	BASE NUMBER	DWG TYPE
NTS	C	0665181-0000-00	SHT 1
	DWG NO		1 SHTS

4

3

2

1

A/C