

## VX™ VENT VALVE PORTION, PART NO. 652828

with Vent Protector, Part No. 652826

with Elbow and Vent Protector, Part No. 652775

with Branch Pipe Tee (Doweled), Part No. 660799 & 660799-0001 with Branch Pipe Tee (Doweled), Part No. 652774

**(FOR LOCOMOTIVE USE ONLY)**

SEPTEMBER, 2017

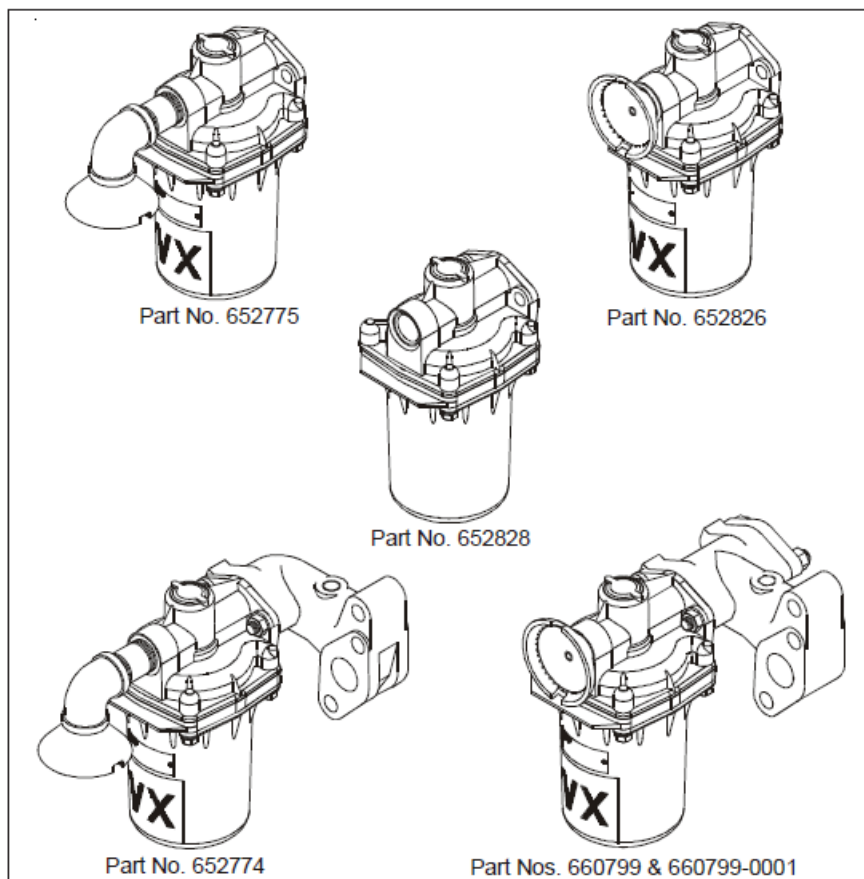
Supersedes issue dated October, 2003

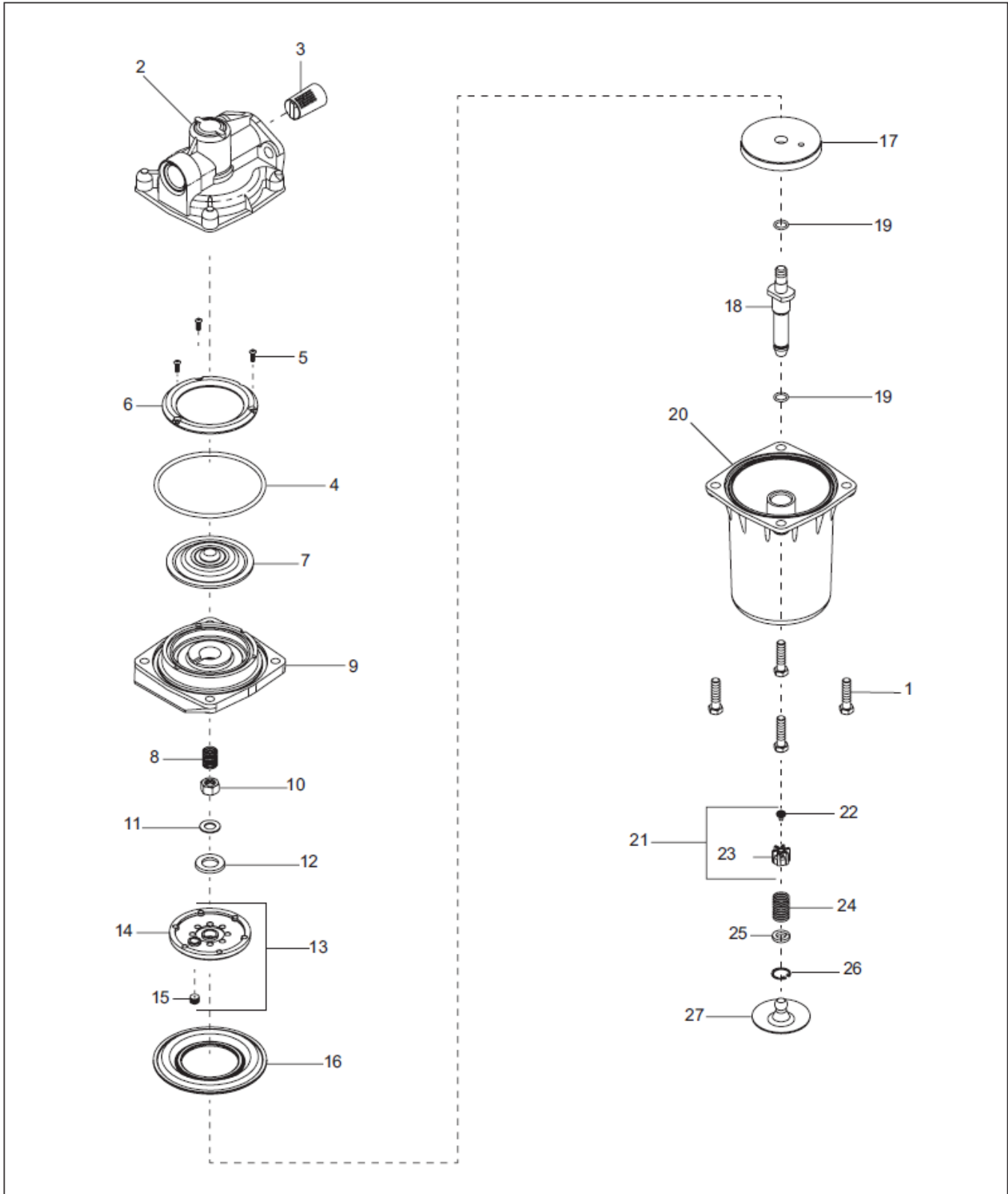
NOTE: The following description and operation is based on this device and its components being new or this device and its components having been repaired, tested, installed and maintained in accordance with instructions issued by this and any other applicable Wabtec Corporation publications.

**⚠ WARNING:** At the time any part is replaced in this device, the operation of the complete device must pass a series of tests prescribed in the latest issue of the applicable Wabtec Test Specification. At the time this device is applied to the brake equipment arrangement, a stationary vehicle test must be made to ensure that this device functions properly in the total brake equipment arrangement. (Consult your local Wabtec Representative for identity of the test specification, with latest revision date, that covers this device.)

**IMPORTANT:** Only Wabtec supplied parts are to be used in the repair of this device in order to obtain satisfactory operation. Commercially available non-O.E.M. parts are unacceptable.

NOTE: The part numbers and their associated descriptions are the property of Wabtec Corporation and may not be replicated in any manner or form without the prior sole written consent of an Officer of Wabtec Corporation.





**Figure 1- VX Vent Valve Portion, Part No. 652828**



## Parts Catalog

### VX VENT VALVE PORTION, PART No. 652828 - Figure 1

Figure & Ref. No.	Customer Part No.	Wabtec Part No.	Descriptio	Qty.
1 -		652828	<b>VX VENT VALVE PORTION</b> (Includes Ref. Nos. 1 to 27)	Ref.
1 - 1		523365	<b>.SCREW</b> , $\frac{3}{8}$ -16 x 1 $\frac{1}{2}$ " Hex	4
1 - 2		652772	<b>.BODY</b>	1
1 - 3		568058	<b>.STRAINER</b>	1
1 - 4		• 592975	<b>.O-RING</b> , 5 $\frac{1}{4}$ " O.D.	1
1 - 5		660388	<b>.SCREW</b> , #8 x $\frac{1}{2}$ " Button Head	3
1 - 6		660382	<b>.PLATE</b> , Diaphragm Clamping	1
1 - 7		• 660381	<b>.DIAPHRAGM</b> , Vent Valve	1
1 - 8		592864	<b>.SPRING</b> , Control (See Page 8 for Spring Identification)	1
1 - 9		660548	<b>.FILLING PIECE</b>	1
1 - 10		86626	<b>.NUT</b> , $\frac{1}{2}$ " Jam	1
1 - 11		660391	<b>.WASHER</b>	1
1 - 12		• 564808	<b>.SEAL</b> (Seat)	1
1 - 13		660390	<b>.PISTON ASSEMBLY</b> (Includes Ref. No. 14 & 15)	1
1 - 14		660386	<b>..PISTON</b>	1
1 - 15		592968	<b>..PLUG</b> , $\frac{1}{8}$ " NPT Choke	1
1 - 16		• 668199	<b>.DIAPHRAGM</b> , Piston	1
1 - 17		660384	<b>.FOLLOWER</b> , Diaphragm	1
1 - 18		660373	<b>.STEM</b> , Piston	1
1 - 19		• 532257	<b>.O-RING</b> , $\frac{11}{16}$ " O.D.	2
1 - 20		660392	<b>.HOUSING</b> , Vent Valve	1
1 - 21		660393	<b>.VALVE</b> , Exhaust (Includes Ref. Nos. 22 & 23)	1
1 - 22		• 660387	<b>..SEAL</b> , Vent Protector	1
1 - 23		660370	<b>..VALVE</b> , Exhaust	1
1 - 24		592863	<b>.SPRING</b> , Exhaust Valve (See Page 8 for Spring Identification)	1
1 - 25		660475	<b>.WASHER</b>	1
1 - 26		534459	<b>.RING</b> , Retaining	1
1 - 27		• 660476	<b>.SEAL</b> , Exhaust Valve	1

• NOTE: See Repair Parts Kit Information on Page 8

**NOTE:** Gasket, Part No. 93986, is not part of the portion, but is required for mounting the portion in an equipment arrangement.

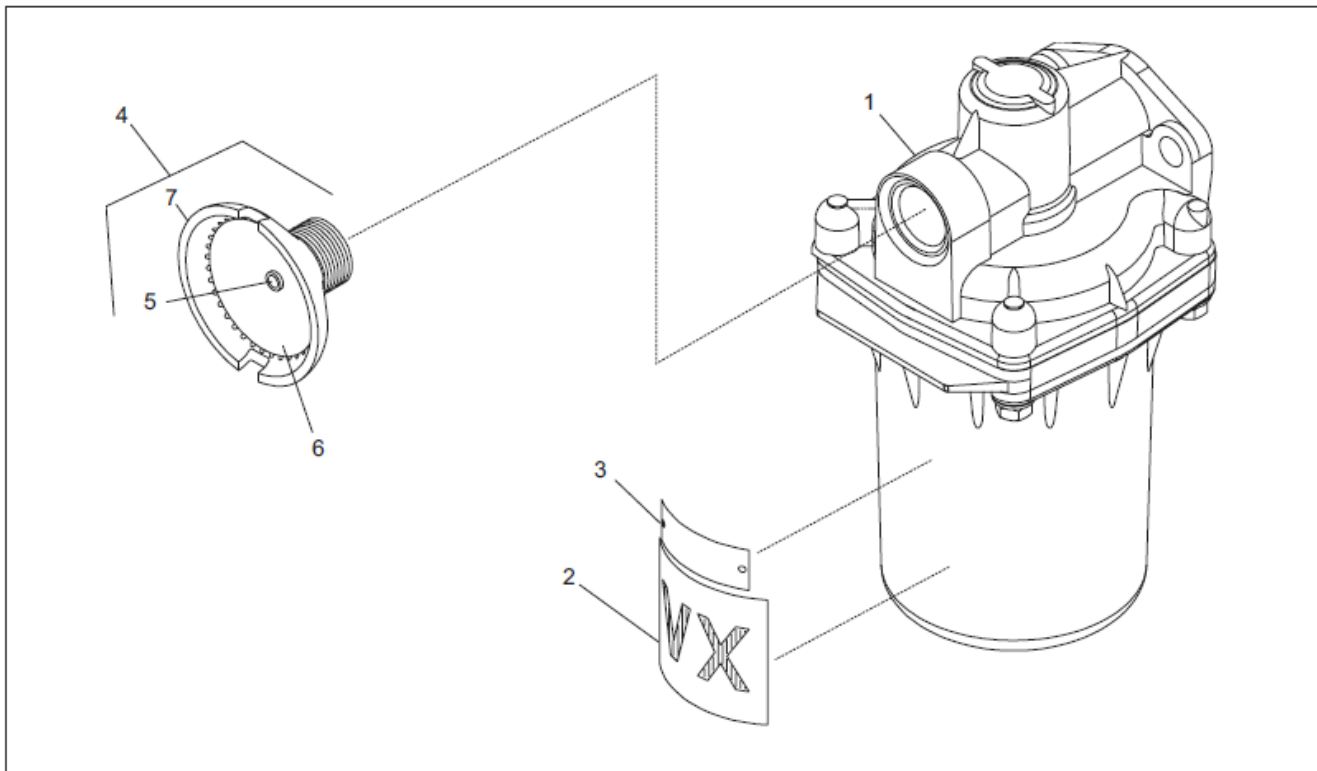


Figure 2 - Part No. 652826

**VX VENT VALVE PORTION with Vent Protector, PART No. 652826 - Figure 2**

Figure & Ref. No.	Customer Part No.	Wabtec Part No.	Descriptio	Qty.
2 -		652826	<b>VX VENT VALVE PORTION</b> with Vent Protector (Includes Ref. Nos. 1 to 7)	Ref.
2 - 1		652828	<b>.VX VENT VALVE PORTION</b>	1
2 - 2		652882	<b>.DECAL</b> , VX Identification	1
2 - 3		652827	<b>.NAMEPLATE</b>	1
2 - 4		566738	<b>.VENT PROTECTOR ASSEMBLY</b> (Includes Ref. No. 5 to 7)	1
2 - 5		571140	<b>..RIVET</b>	1
2 - 6		502465	<b>..SEAL</b> , Vent Protector	1
2 - 7		566737	<b>..VENT PROTECTOR BODY</b>	1

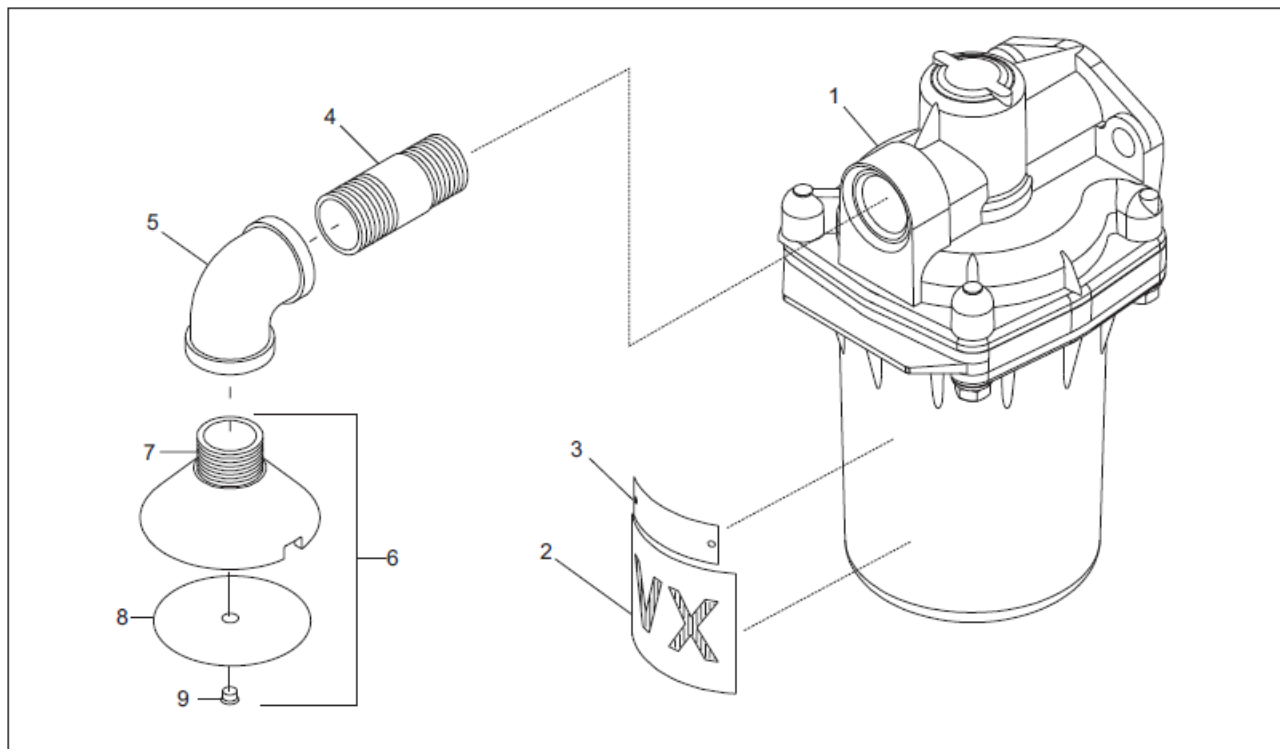

**Figure 3 - Part No. 652775**
**VX VENT VALVE PORTION with Vent Protector & Elbow, PART No. 652775 - Figure 3**

Figure & Ref. No.	Customer Part No.	Wabtec Part No.	Description	Qty.
3 -		652775	<b>VX VENT VALVE PORTION</b> with Vent Protector & Elbow (Includes Ref. Nos. 1 to 9)	Ref.
3 - 1		652828	<b>.VX VENT VALVE PORTION</b>	1
3 - 2		652882	<b>.DECAL</b> , VX Identification	1
3 - 3		652776	<b>.NAMEPLATE</b>	1
3 - 4		593689	<b>.NIPPLE</b> , 1 x 3" Pipe	1
3 - 5		593690	<b>.ELBOW</b> , 1", 90°	1
3 - 6		566738	<b>.VENT PROTECTOR ASSEMBLY</b> (Includes Ref. No. 7 to 9)	1
3 - 7		566737	<b>..VENT PROTECTOR BODY</b>	1
3 - 8		502465	<b>..SEAL</b> , Vent Protector	1
3 - 9		571140	<b>..RIVET</b>	1

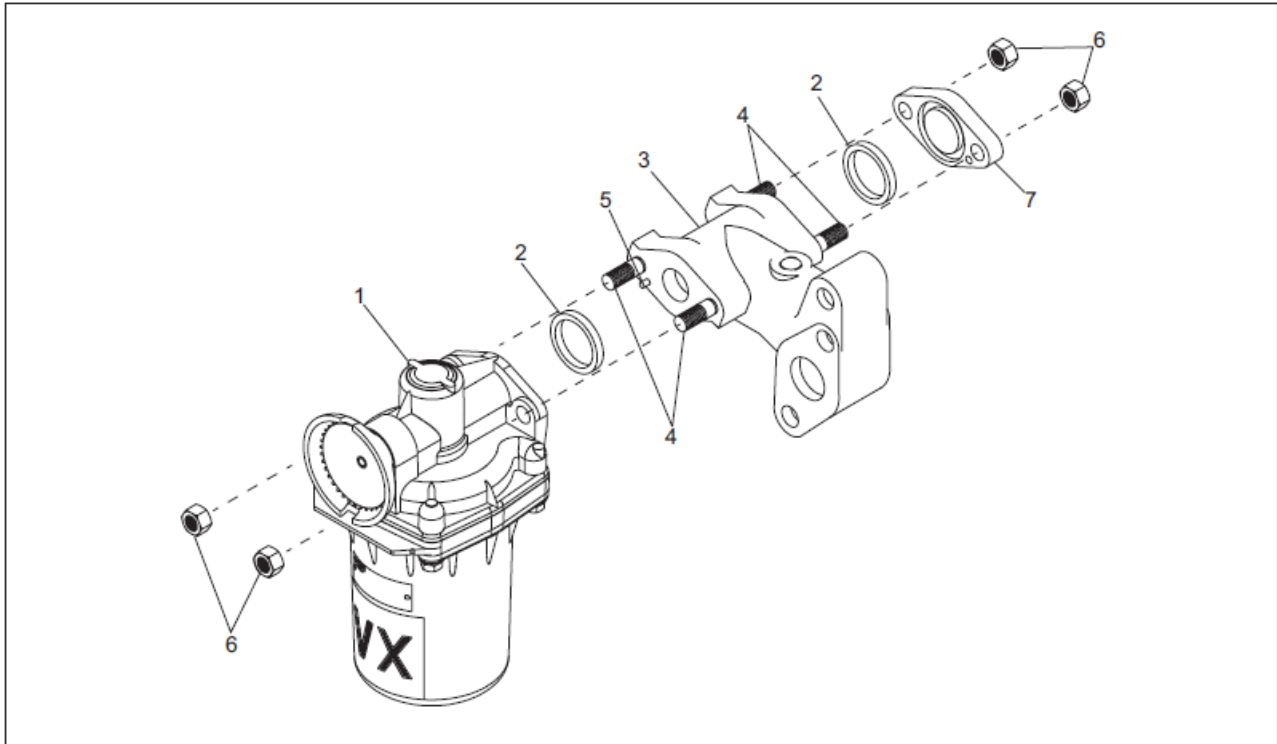


Figure 4 - Part Nos. 660799 and 660799-0001

**VX VENT VALVE PORTIONS with TEES, PART Nos. 660799 & 660799-0001 - Figure 4**

Figure & Ref. No.	Customer Part No.	Wabtec Part No.	Description	Qty.
4 -		660799	<b>VX VENT VALVE PORTION with BRANCH PIPE TEE</b> (Includes Ref. Nos. 1 to 7)	Ref.
4 -		660799-0001	<b>VX VENT VALVE PORTION with BRANCH PIPE TEE</b> (Includes Ref. Nos. 1 to 7)	Ref.
4 - 1		652826	<b>.VX VENT VALVE PORTION with VENT PROTECTOR</b>	1
4 - 2		• 93986	<b>.GASKET, 1" Flange</b>	2
4 -		652768	<b>.BRANCH PIPE TEE ASSEMBLY</b> (Includes Ref. Nos. 3 to 6)	Ref
4 - 3		652767	<b>..BRANCH PIPE TEE</b>	1
4 - 4		523182	<b>..STUD, 1/2-13 x 2"</b>	4
4 - 5		549914	<b>..PIN, 3/16 x 1/2" Spring</b>	2
4 - 6		502365	<b>..NUT, 1/2" Hex</b>	4
4 - 7		652766	<b>.PAD, Blanking</b>	1

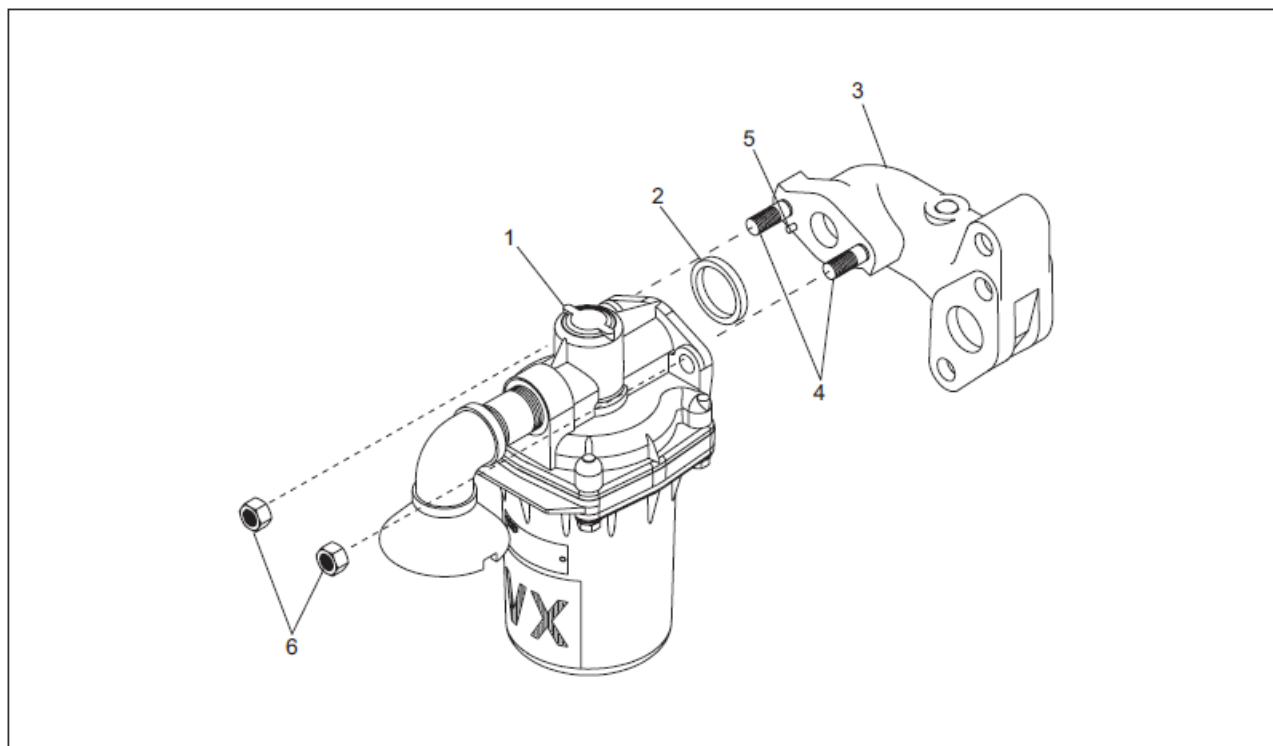
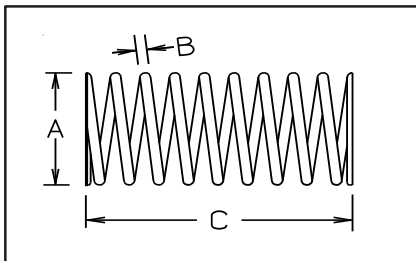

**Figure 5 - Part No. 652774**
**VX VENT VALVE PORTION with BRANCH PIPE TEE, PART No. 652774 - Figure 5**

Figure & Ref. No.	Customer Part No.	Wabtec Part No.	Descriptio	Qty.
5 -		652774	<b>VX VENT VALVE PORTION with BRANCH PIPE TEE</b> (Includes Ref. Nos. 1 to 6)	Ref.
5 - 1		652775	<b>.VX VENT VALVE PORTION with VENT PROTECTOR</b>	1
5 - 2		• 93986	<b>.GASKET, 1" Flange</b>	1
5 -		652777	<b>.BRANCH PIPE TEE ASSEMBLY</b> (Includes Ref. Nos. 3 to 5)	1
5 - 3		652778	<b>..BRANCH PIPE TEE</b>	1
5 - 4		523182	<b>..STUD, 1/2- 13 x 2"</b>	2
5 - 5		549914	<b>..PIN, 3/16 x 1/2" Spring</b>	1
5 - 6		502365	<b>.NUT, 1/2" Hex</b>	2

**VX VENT VALVE PORTION REPAIR PARTS KIT, PART No. 660549**

Figure & Ref. No.	Customer Part No.	Wabtec Part No.	Descriptio	Qty.
1 - 4		592975	<b>O-RING</b> , 5 <sup>1</sup> / <sub>4</sub> " O.D.	1
1 - 7		660381	<b>DIAPHRAGM</b> , Vent Valve	1
1 - 12		564808	<b>SEAL</b> (Seat)	1
1 - 15		668199	<b>DIAPHRAGM</b> , Piston	1
1 - 18		532257	<b>O-RING</b> , <sup>11</sup> / <sub>16</sub> " O.D. SEAL,	1
1 - 21		660387	<b>SEAL</b> , Exhaust Valve	1
1 - 26		660476	<b>SEAL</b> , Vent Protector	1
4 - 2		93986	<b>GASKET</b> , 1" Flange Fitting	1

**SPRING IDENTIFICATION**


The following table is shown to enable identification of the springs used in the devices cataloged herein. It is based on calculated figures and the actual spring will vary somewhat, due to the small differences in wire, coil diameter, number of turns, etc. This tabulation is intended for identification only and should not be used for any other purpose. It does not represent a specification for the springs mentioned. For proper operation of this device **ONLY** springs supplied by Wabtec Corporation are to be used in locations illustrated herein.

Part No.	Approx. Outside Dia. "A" In.	Approx. Wire Dia. "B" In.	Approx. Free Height "C" In.	Approx. No. Turns *	Material
592863	<sup>3</sup> / <sub>4</sub>	<sup>5</sup> / <sub>64</sub>	2 <sup>11</sup> / <sub>64</sub>	11 <sup>1</sup> / <sub>2</sub>	Steel
592864	<sup>11</sup> / <sub>16</sub>	<sup>1</sup> / <sub>16</sub>	1 <sup>13</sup> / <sub>32</sub>	8	Steel

\*NOTE: Number of turns counted from extreme ends of wire.  
All dimensions are shown in inches.

**Wabtec Corporation**

1001 Air Brake Avenue • Wilmerding, PA 15148  
(412) 825-1000 • Fax (412) 825-1019  
[www.wabtec.com](http://www.wabtec.com)