

VX™ VENT VALVE PORTION, PART NO. 651474 with Branch Pipe Tee, Part No. 651475 (FOR LOCOMOTIVE USE ONLY)

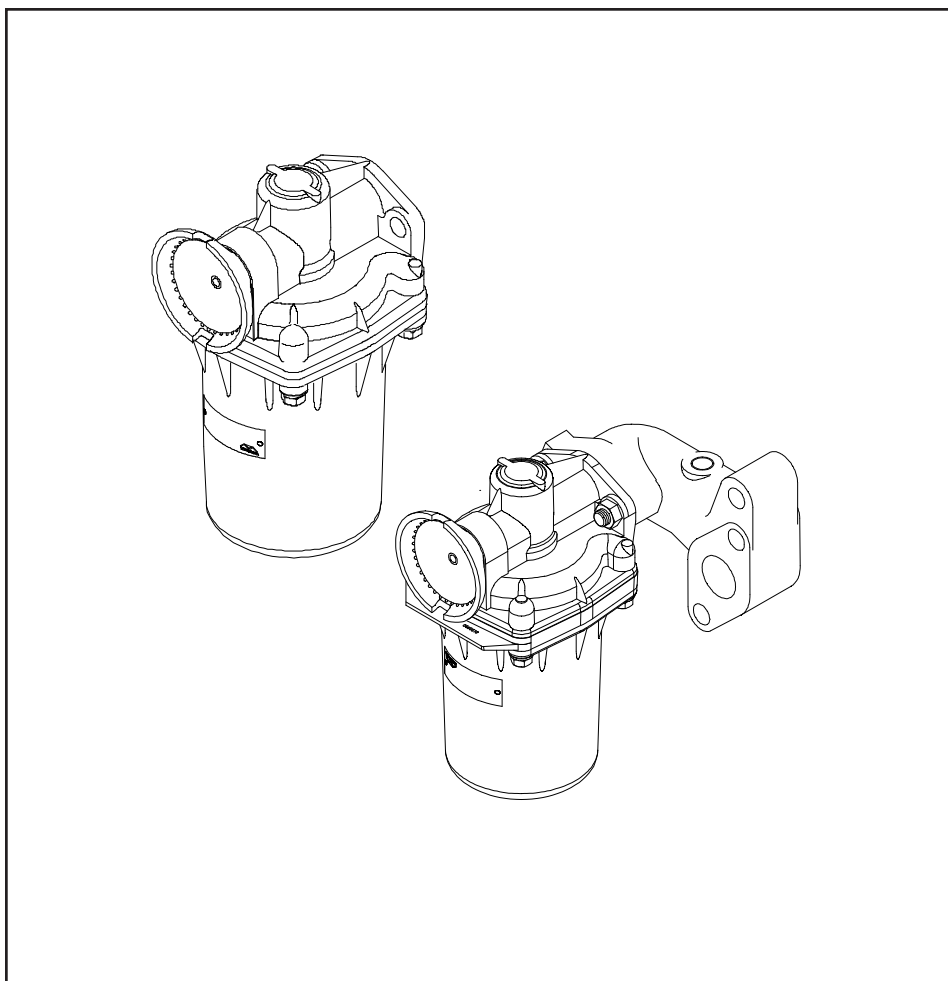
SEPTEMBER, 2017
Supersedes issue dated October, 2000

NOTE: The following description and operation is based on this device and its components being new or this device and its components having been repaired, tested, installed and maintained in accordance with instructions issued by this and any other applicable Wabtec Corporation publications.

⚠ WARNING: At the time any part is replaced in this device, the operation of the complete device must pass a series of tests prescribed in the latest issue of the applicable Wabtec Test Specification. At the time this device is applied to the brake equipment arrangement, a stationary vehicle test must be made to ensure that this device functions properly in the total brake equipment arrangement. (Consult your local Wabtec Representative for identity of the test specification, with latest revision date, that covers this device.)

IMPORTANT: Only Wabtec supplied parts are to be used in the repair of this device in order to obtain satisfactory operation. Commercially available non-O.E.M. parts are unacceptable.

NOTE: The part numbers and their associated descriptions are the property of Wabtec Corporation and may not be replicated in any manner or form without the prior sole written consent of an Officer of Wabtec Corporation.



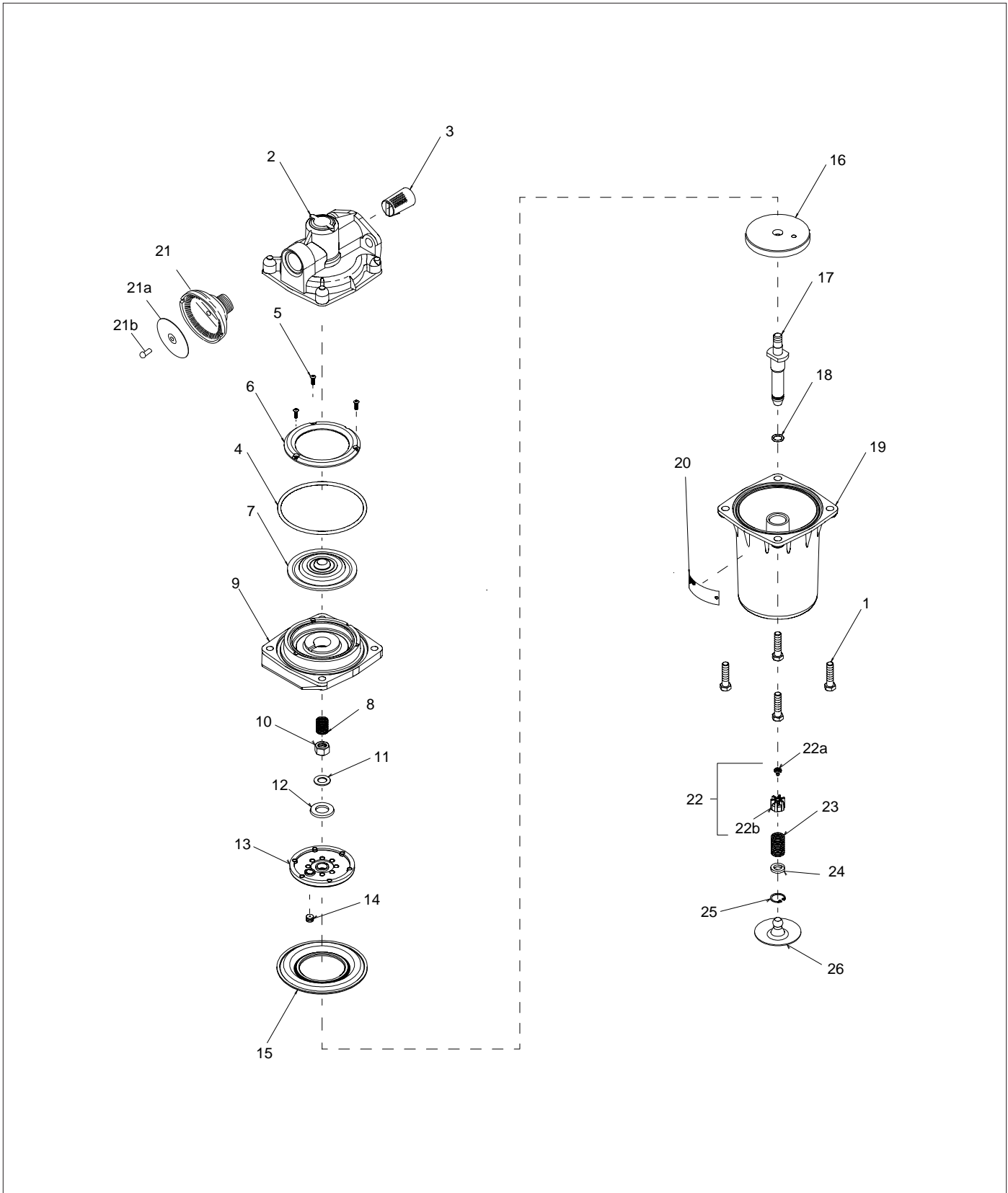


Figure 1 - Part No. 651474



Parts Catalog

VX VENT VALVE PORTION, PART No. 651474- Figure 1

Figure & Ref. No.	Customer Part No.	Wabtec Part No.	Description	Qty.
1 -		651474	VX VENT VALVE PORTION (Includes Ref. Nos. 1 to 26)	Ref.
1 - 1		523365	.SCREW , 3/8-16 x 1 1/2" Hex	4
1 - 2		660378	.BODY	1
1 - 3		568058	.STRAINER	1
1 - 4		• 592975	.O-RING , 5 1/4" O.D.	1
1 - 5		660388	.SCREW , #8 x 1/2" Button Head	3
1 - 6		660382	.PLATE , Diaphragm Clamping	1
1 - 7		• 660381	.DIAPHRAGM , Vent Valve	1
1 - 8		592864	.SPRING , Control (See Page 6 for Spring Identification Chart)	1
1 - 9		660548	.FILLING PIECE	1
1 - 10		86626	.NUT , 1/2" Jam	1
1 - 11		660391	.WASHER	1
1 - 12		• 564808	.SEAL (Seat)	1
1 - 13		660390	.PISTON (Includes Ref. No. 14)	1
1 - 14		592968	..PLUG , Choke, 1/8" NPT	1
1 - 15		• 668199	.DIAPHRAGM , Piston	1
1 - 16		660384	.FOLLOWER , Diaphragm	1
1 - 17		660373	.STEM , Piston	1
1 - 18		• 532257	.O-RING , 1 1/16" O.D.	1
1 - 19		660392	.HOUSING , Vent Valve	1
1 - 20		651571	.NAMEPLATE	1
1 - 21		566738	.VENT PROTECTOR (Includes Ref. Nos. 21a & 21b)	Ref.
1 - 21a		502465	..SEAL , Vent Protector	1
1 - 21b		571140	..RIVET	1
1 - 22		660393	.VALVE , Exhaust (Includes Ref. Nos. 22a & 22b)	Ref.
1 - 22a		• 660387	..SEAL , Vent Protector	1
1 - 22b		660370	..VALVE , Exhaust	1
1 - 23		592863	.SPRING , Exhaust Valve	1
1 - 24		660475	.WASHER	1
1 - 25		534459	.RING , Retaining	1
1 - 26		• 660476	.SEAL , Vent Protector	1

• NOTE: See Repair Parts Kit Information on Page 5

NOTE: Gasket, Part No. 93986, is not part of the portion but is required for mounting the portion in an equipment arrangement.

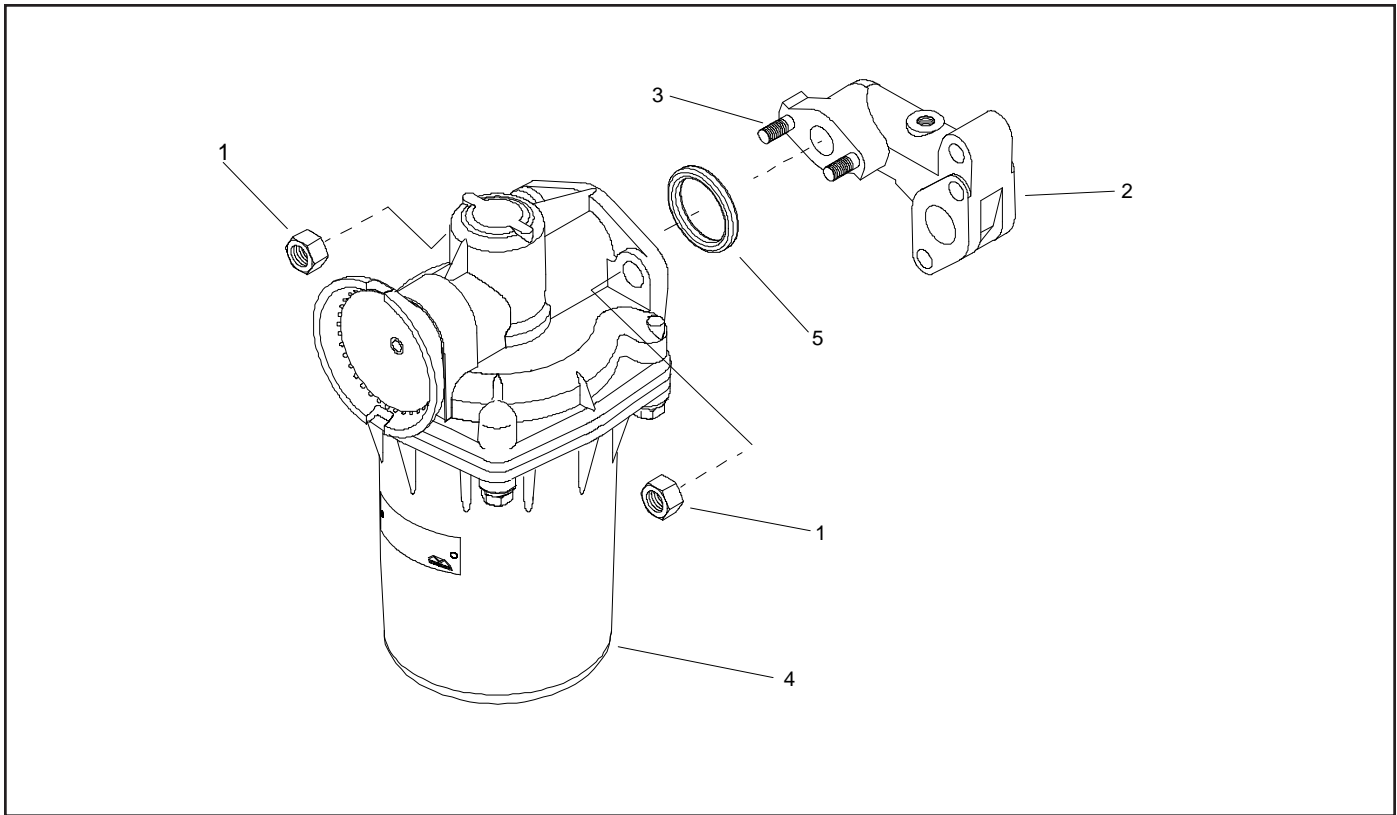


Figure 2 - Part No. 651475

VX VENT VALVE PORTION with Branch Pipe Tee, PART No. 651475- Figure 2

Figure & Ref. No.	Customer Part No.	Wabtec Part No.	Description	Qty.
2 -		651475	VX VENT VALVE PORTION with Branch Pipe Tee	Ref.
2 -		579077	.TEE, Branch Pipe (Includes Ref. Nos. 1 to 3)	Ref.
2 - 1		502365	..NUT, 1/2" Hex	2
2 - 2		579081	..TEE, Branch Pipe	1
2 - 3		523182	..STUD, 1/2 x 2"	2
2 - 4		651474	. VX VENT VALVE PORTION	1
2 - 5		93986	.GASKET, 1" Flange Fitting	1



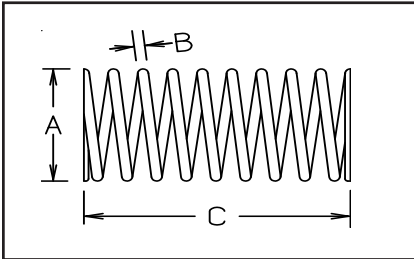
Parts Catalog

VX VENT VALVE PORTION REPAIR PARTS KIT, PART No. 660549

Figure & Ref. No.	Customer Part No.	Wabtec Part No.	Description	Qty.
1 - 4		592975	O-RING , 5 ¹ / ₄ " O.D.	1
1 - 7		660381	DIAPHRAGM , Vent Valve	1
1 - 12		564808	SEAL (Seat)	1
1 - 15		668199	DIAPHRAGM , Piston	1
1 - 18		532257	O-RING , 1 ¹ / ₁₆ " O.D.	1
1 - 22a		660387	SEAL , Exhaust Valve	1
1 - 26		660476	SEAL , Vent Protector	1
2 - 5		93986	GASKET , 1" Flange Fitting	1

This repair parts kit is for all VX Vent Valves shown in this catalog and includes gasket 93986.

SPRING IDENTIFICATION



The following table is shown to enable identification of the springs used in the devices cataloged herein. It is based on calculated figures and the actual spring will vary somewhat, due to the small differences in wire, coil diameter, number of turns, etc. This tabulation is intended for identification only and should not be used for any other purpose. It does not represent a specification for the springs mentioned. For proper operation of this device **ONLY** springs supplied by Wabtec Corporation are to be used in locations illustrated herein.

Part No.	Approx. Outside Dia. "A" In.	Approx. Wire Dia. "B" In.	Approx. Free Height "C" In.	Approx. No. Turns *	Material
592863	$\frac{3}{4}$	$\frac{5}{64}$	$2\frac{11}{64}$	$11\frac{1}{2}$	Steel
592864	$\frac{11}{16}$	$\frac{1}{16}$	$1\frac{13}{32}$	8	Steel

*NOTE: Number of turns counted from extreme ends of wire.
All dimensions are shown in inches.

Wabtec Corporation

1001 Air Brake Avenue • Wilmerding, PA 15148
(412) 825-1000 • Fax (412) 825-1019
www.wabtec.com