

1" COMBINED DYNABALL™ CUT OUT COCK & STRAINER

PART NO. 586395 (LESS DIRT CHAMBER)

JUNE, 2001

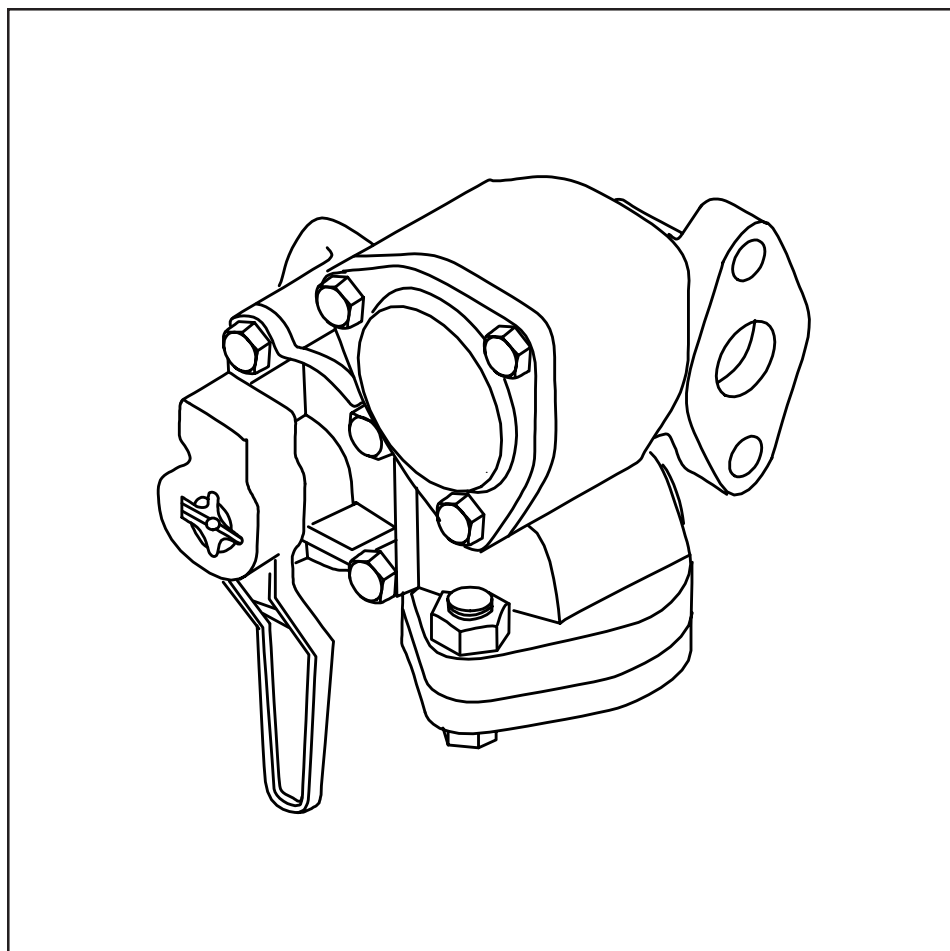
Supersedes issue dated September, 1996

IMPORTANT: This catalog is published as an aid in identifying the detail parts that make up this complete device. Refer to applicable maintenance publication **BEFORE** attempting either the disassembly or the assembly of this device.

⚠ WARNING: At the time any part is replaced in this device, the operation of the complete device must pass a series of tests prescribed in the latest issue of the applicable Wabtec Test Specification. At the time this device is applied to the brake equipment arrangement, a stationary vehicle test must be made to ensure that this device functions properly in the total brake equipment arrangement. (Consult your local Wabtec Representative for identity of the test specification, with latest revision date, that covers this device.)

IMPORTANT: Only Wabtec supplied parts are to be used in the repair of this device in order to obtain satisfactory operation. Commercially available non-O.E.M. parts are unacceptable.

NOTE: The part numbers and their associated descriptions are the property of Wabtec Corporation and may not be replicated in any manner or form without the prior sole written consent of an Officer of Wabtec Corporation.



™ Trademark of Wabtec Corporation

© 1999 WABCO Freight Car Products. A Wabtec Company. All rights reserved

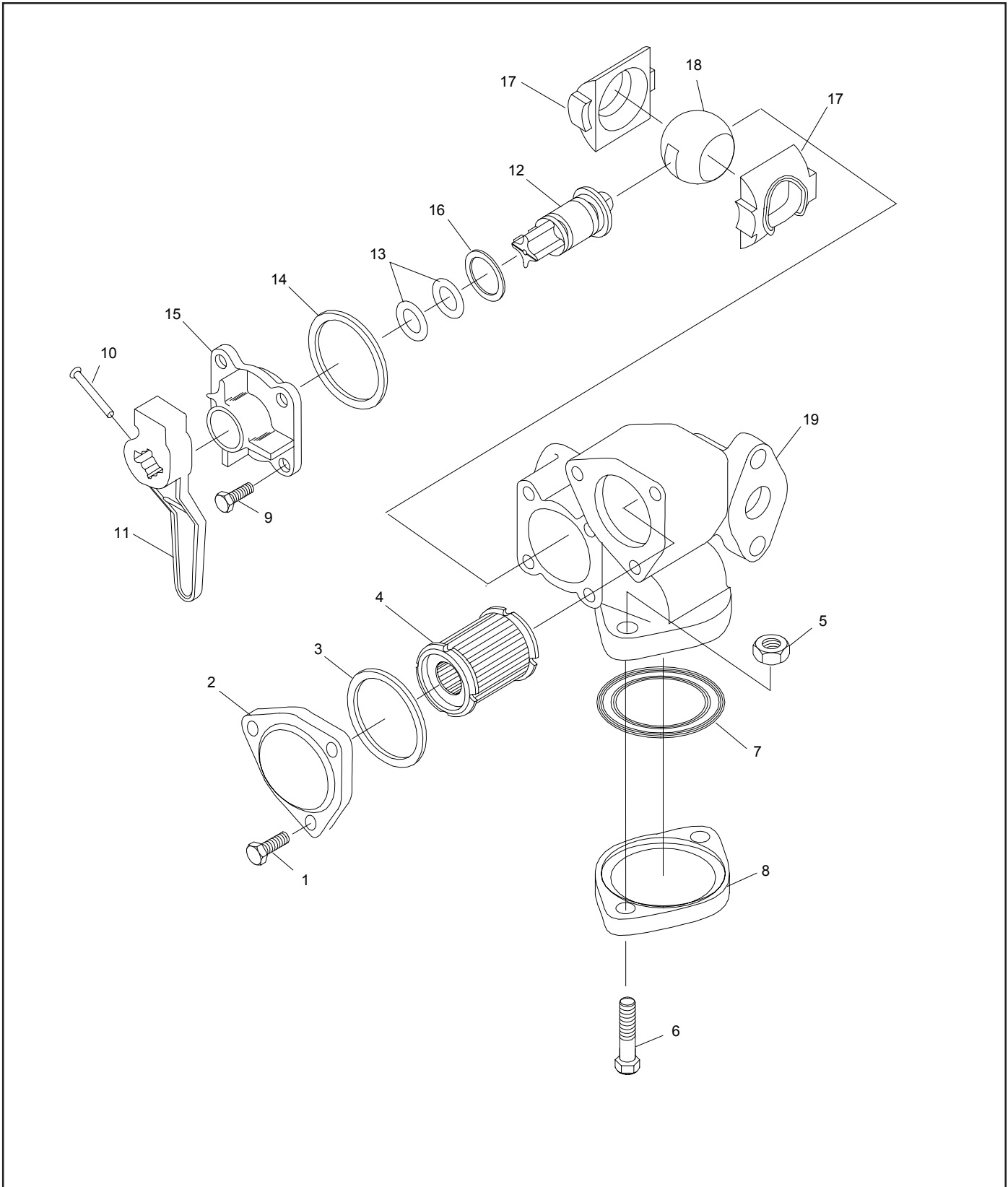


Figure 1 - Part No. 586395



Parts Catalog

1" COMBINED DYNABALL CUTOUT COCK & STRAINER, PART No. 586395 - Fig. 1

Figure & Ref. No.	Customer Part No.	Wabtec Part No.	Description	Qty.
1 -		586395	1" COMBINED DYNABALL CUT-OUT COCK & STRAINER (less Dirt Chamber) (Includes Ref. Nos. 1 to 19)	Ref.
1 - 1		7978	.SCREW , $\frac{3}{8}$ - 16 x 1" Hex	3
1 - 2		586392	.COVER	1
1 - 3		532616	.GASKET , 3" O.D.	1
1 - 4		569146	.STRAINER	1
1 - 5		502365	.NUT , $\frac{1}{2}$ ", Hex	2
1 - 6		540468	.BOLT , $\frac{1}{2}$ - 13 x $1\frac{7}{8}$ " Hex	2
1 - 7		75932	.GASKET , $3\frac{11}{32}$ " O.D.	1
1 - 8		562839	.COVER , Blanking	1
1 - 9		512422	.SCREW , $\frac{3}{8}$ - 16 x $\frac{7}{8}$ " Hex	4
1 - 10		564459	.RIVET , $\frac{3}{16}$ X $1\frac{7}{8}$ "	1
1 - 11		577137	.HANDLE	1
1 - 12		576124	.KEY	1
1 - 13		576128	.SEAL , D-Ring	2
1 - 14		575145	.GASKET , $2\frac{11}{16}$ " O.D.	1
1 - 15		576126	.COVER	1
1 - 16		576127	.WASHER , Thrust	1
1 - 17		572871	.SEAT , Ball	2
1 - 18		573023	.BALL	1
1 - 19		586391	.BODY	1



WABCO Freight Car Products

www.wabtec.com

1001 Air Brake Avenue
Wilmerding, Pennsylvania 15148
(412) 825-1000 • Fax (412) 825-1019

475 Seaman Street
Stoney Creek, Ontario L8E 2R2
(905) 561-8700 • Fax (905) 561-8705