

Model 898656 Pedestal-Mounted Junction Box

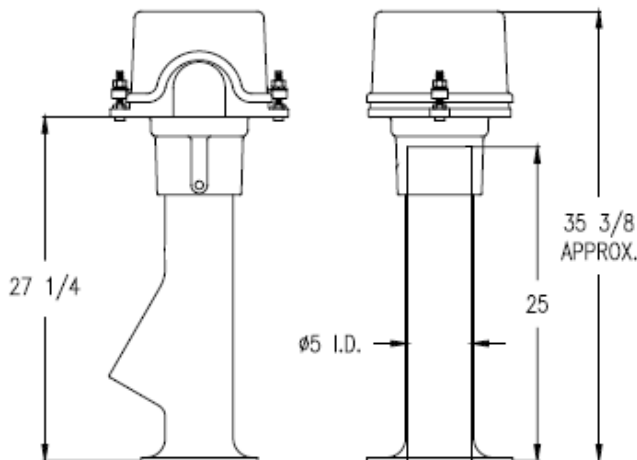
Description:

Pedestal mounted junction boxes are typically used at switch machine locations as a central termination point for underground cables. Terminal blocks, variable resistors, fuse holders, and related components are mounted in these boxes. Each pedestal contains a side entrance, located near the bottom of the riser, for the park-way cable. Since the pedestal is placed directly in the ground, no concrete foundation is required. The junction boxes can accommodate from four to 48 AREMA terminals molded in blocks of insulation. Terminal nuts are positioned for easy access by a socket wrench. Knockouts are for steel or flexible hose conduits or multi-conductor fittings are provided on opposite sides of the boxes



Features:

- Larger boxes (12-14 terminals) contain two elbow ventilators with fine wire mesh screens for air circulation and elimination of condensation.
- Sealed cover joints and outside cover bolts provide weather protection.
- All exposed bolts, nuts, and washers are zinc plated to resist rust.
- Side and bottom openings protect incoming underground cables.



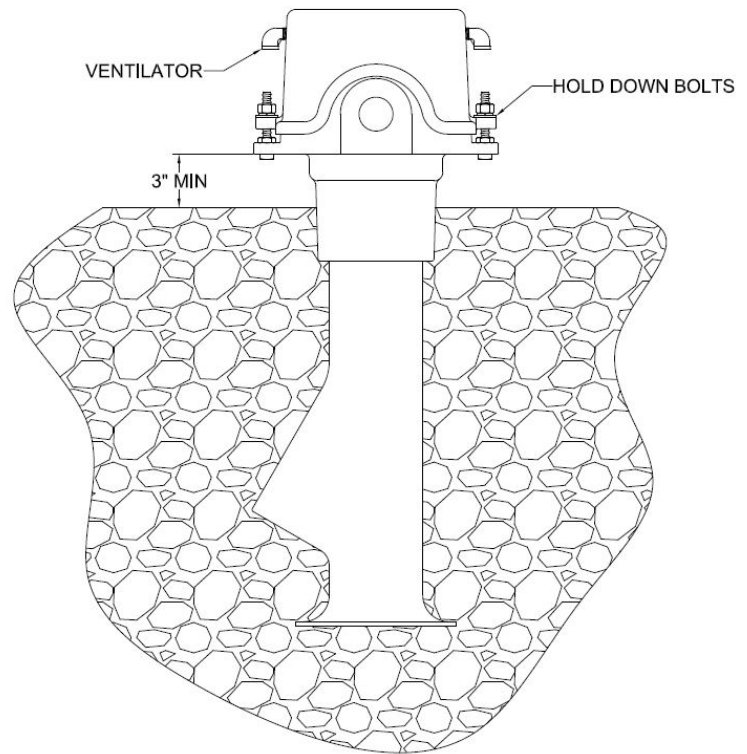
Advantages:

- Ideal for underground cable termination
- Numerous optional attachments
- Direct ground installation—no foundation needed

Model 898656 Pedestal-Mounted Junction Box

Recommended Installation Guidelines

- **Remove junction box cover and feed power cables through the pedestal and junction box base.**
- **Bury junction box pedestal in ballast allowing a minimum of 3" from the base bottom to the ballast level as shown.**
- **Place junction box cover onto the base and secure with two hold down bolts torqued to 49 ft-lbs to ensure weather-tight seal.**
- **Confirm that both ventilators, as illustrated, are clear of any obstructions to ensure proper ventilation of the junction box assembly.**



Ordering Information:

Part Number	Description
898655-001-01	Junction Box Complete, Aluminum, with Cast Iron Pedestal, 36 Terminals, with Two Knockouts for 2" Conduit Fittings
898655-001-02	Junction Box Only, Aluminum, 36 Terminals, with Two Knockouts for 2" Conduit Fittings
898655-001-03	Junction Box Complete, Aluminum, with Cast Iron Pedestal, 36 Terminals, Variable Resistor, with Two Knockouts for 2" Conduit Fittings
898655-001-04	Junction Box Only, Aluminum, 36 Terminals, Variable Resistor, with Two Knockouts for 2" Conduit Fittings
898655-002-01	Junction Box Complete, Aluminum, with Cast Iron Pedestal, 48 Terminals, with Two Knockouts for 2" Conduit Fittings
898655-002-02	Junction Box Complete, Aluminum, with Cast Iron Pedestal, 48 Terminals, with Two Knockouts for 1-1/2" Conduit Fittings
898655-002-03	Junction Box Only, Aluminum, 48 Terminals, with Two Knockouts for 2" Conduit Fittings
898656-001-01	Junction Box Complete, Cast Iron, with Cast Iron Pedestal, 36 Terminals, with Two Knockouts for 2" Conduit Fittings
898656-001-02	Junction Box Only, Cast Iron, 36 Terminals, with Two Knockouts for 2" Conduit Fittings
898656-001-03	Junction Box Complete, Cast Iron, with Cast Iron Pedestal, 36 Terminals, Variable Resistor, with Two Knockouts for 2" Conduit Fittings
898656-001-04	Junction Box Only, Cast Iron, 36 Terminals, Variable Resistor, with Two Knockouts for 2" Conduit Fittings
898656-002-01	Junction Box Complete, Cast Iron, with Cast Iron Pedestal, 48 Terminals, with Two Knockouts for 2" Conduit Fittings
898656-002-02	Junction Box Complete, Cast Iron, with Cast Iron Pedestal, 48 Terminals, with Two Knockouts for 1-1/2" Conduit Fittings
898656-002-03	Junction Box Only, Cast Iron, 48 Terminals, with Two Knockouts for 2" Conduit Fittings

G&B Specialties

P.O. Box 305

535 West Third Street

Berwick, PA 18603

570-752-5901

www.wabtec.com

www.gandbspecialties.com



Rev A 09/01/2017