

A-1-X REDUCTION RELAY VALVE, PART NO. 660500

PIPE BRACKET PORTION, PART NO. 660505

B-1 QUICK SERVICE VALVE PORTION, PART NO. 565453 (Catalog 3211-6)

VX VENT VALVE, PART NO. 660501 (Catalog 3211-7)

JUNE, 2001

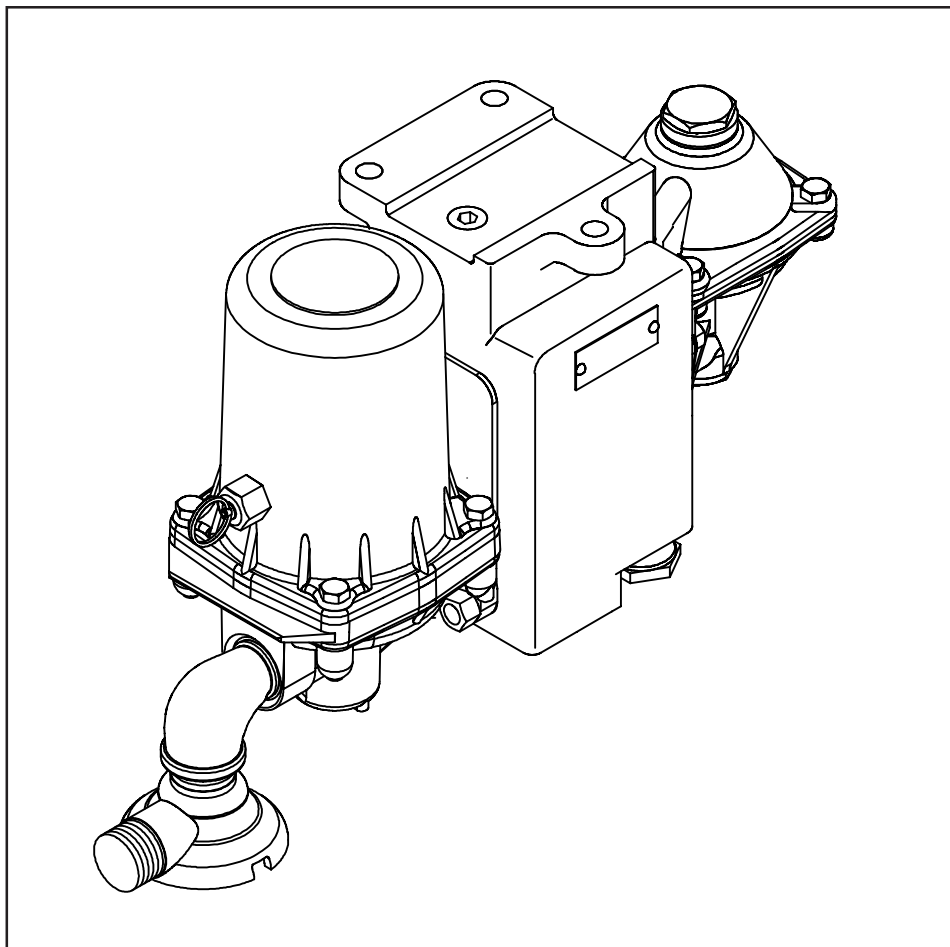
Supersedes issue dated July, 1996

IMPORTANT: This catalog is published as an aid in identifying the detail parts that make up this complete device. Refer to applicable maintenance publication **BEFORE** attempting either the disassembly or the assembly of this device.

⚠ WARNING: At the time any part is replaced in this device, the operation of the complete device must pass a series of tests prescribed in the latest issue of the applicable Wabtec Test Specification. At the time this device is applied to the brake equipment arrangement, a stationary vehicle test must be made to ensure that this device functions properly in the total brake equipment arrangement. (Consult your local Wabtec Representative for identity of the test specification, with latest revision date, that covers this device.)

IMPORTANT: Only Wabtec supplied parts are to be used in the repair of this device in order to obtain satisfactory operation. Commercially available non-O.E.M. parts are unacceptable.

NOTE: The part numbers and their associated descriptions are the property of Wabtec Corporation and may not be replicated in any manner or form without the prior sole written consent of an Officer of Wabtec Corporation.



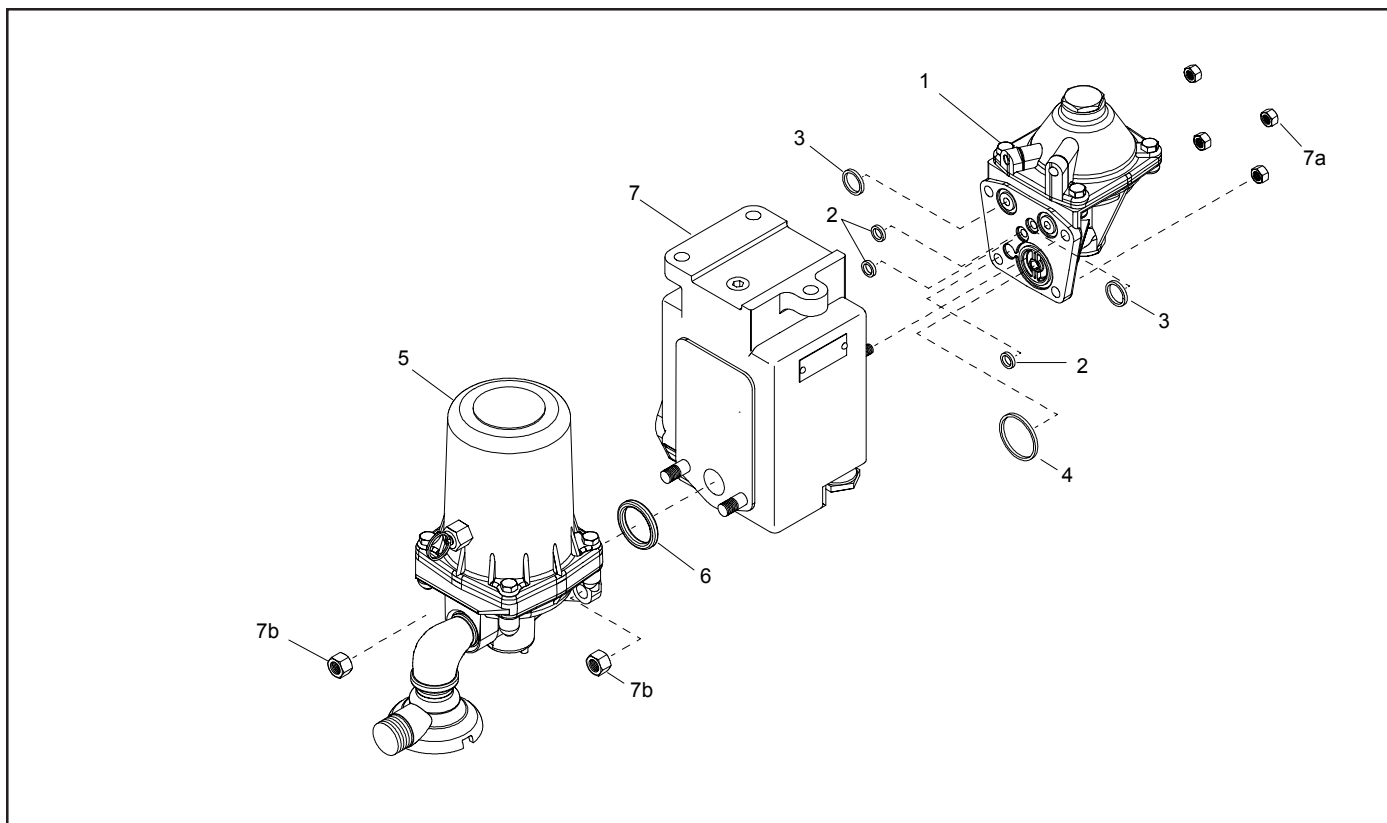


Figure 1 - Part No. 660500

A-1-X REDUCTION RELAY VALVE, PART No. 660500 - Figure 1

Figure & Ref. No.	Customer Part No.	Wabtec Part No.	Description	Qty.
1 -		660500	A-1-X REDUCTION RELAY VALVE (Includes Ref. Nos. 1 to 7)	Ref.
1 - 1		565453	.B-1 QUICK SERVICE VALVE PORTION (See Catalog 3211-6)	1
1 - 2		• 527560	.GASKET, Ring, 5/8" O.D.	3
1 - 3		• 533212	.GASKET, Ring, 1" O.D.	2
1 - 4		• 540542	.GASKET, Ring, 1 7/8" O.D.	1
1 - 5		660501	.VX VENT VALVE (See Catalog 3211-7)	1
1 - 6		<input type="checkbox"/> 93986	.GASKET, 1" Flange Fitting	1
1 - 7		660505	.PIPE BRACKET PORTION (See Figure 2) (Includes Ref. Nos. 7a & 7b)	1

• NOTE: See Repair Parts Kit Information on Page 4
 The indicated gasket is not a part of any portion and must be ordered separately

Parts Catalog

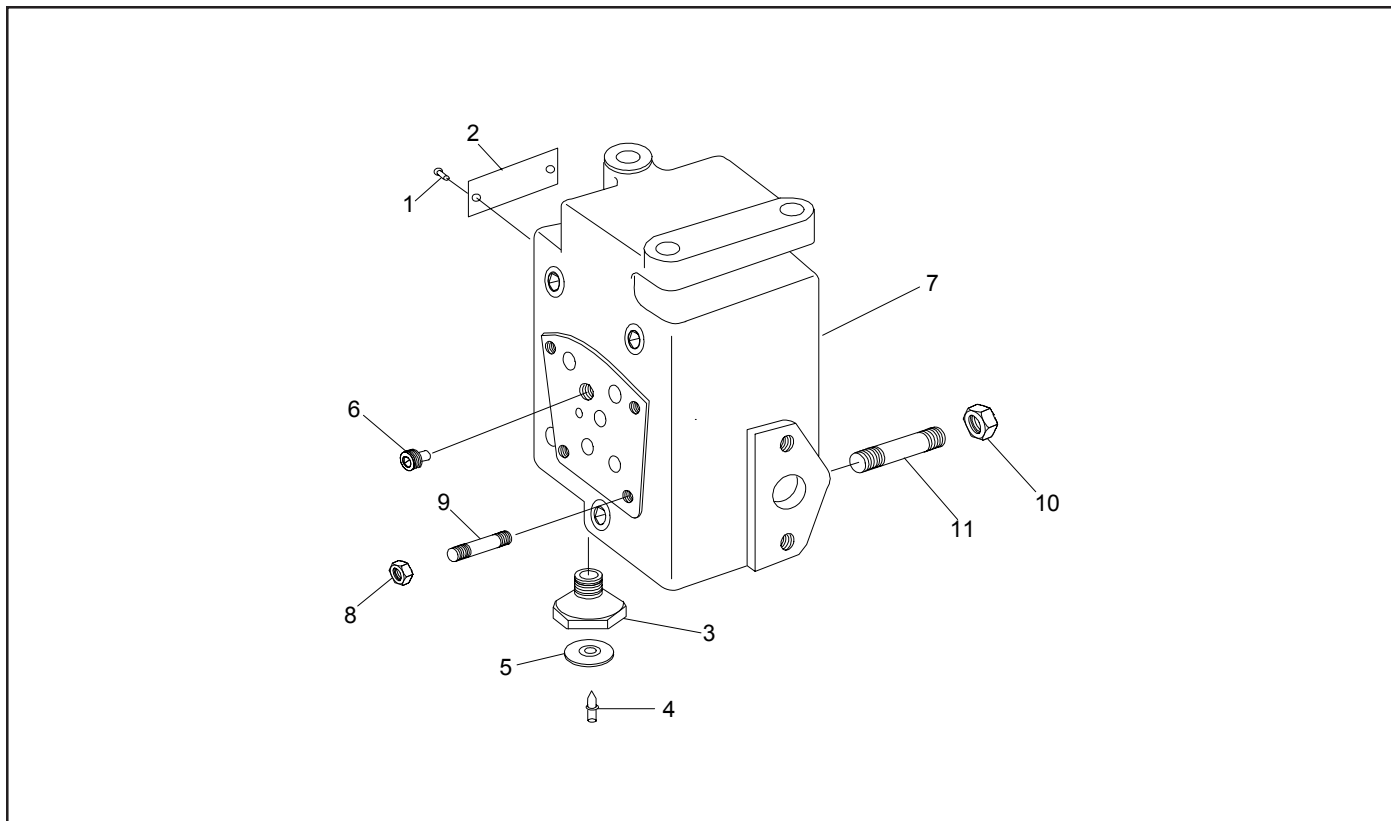


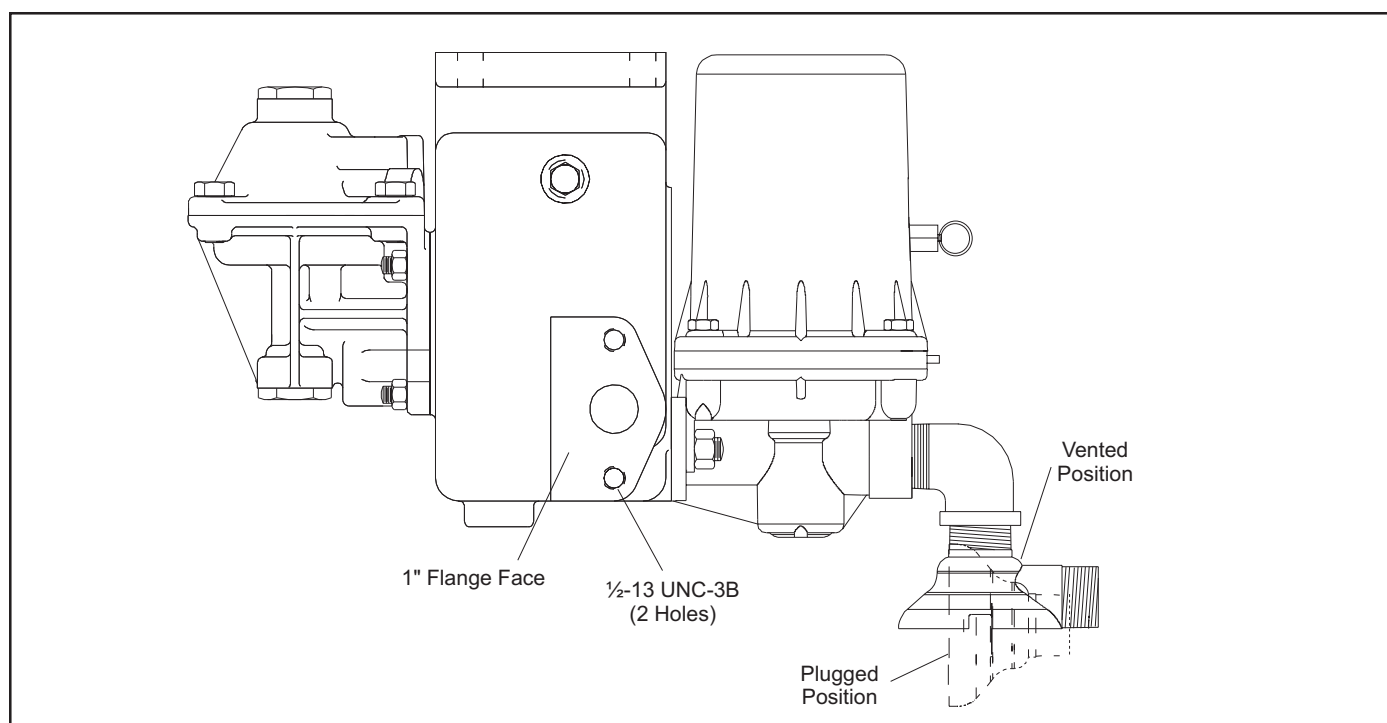
Figure 2 - Part No. 660505

PIPE BRACKET PORTION, PART No. 660505 - Figure 2

Figure & Ref. No.	Customer Part No.	Wabtec Part No.	Description	Qty.
2 -		660505	PIPE BRACKET PORTION ASSEMBLY	Ref.
2 - 1		553576	.STUD, #6 x 1/4" Round Head Drive	2
2 - 2		660504	.NAME PLATE	1
2 -		566333	.PIPE BRACKET PORTION ASSEMBLY (Includes Ref. Nos. 3 to 11)	Ref.
2 - 3		552378	..VENT PROTECTOR (Includes Ref. Nos. 4 and 5)	1
2 - 4		651127	...RIVET, Pop	1
2 - 5		551159	...SEAL	1
2 - 6		578254	..PLUG, Choke, 1/8" NPT	1
2 - 7		565479	..PIPE BRACKET (Includes Ref. Nos. 8 to 11)	1
2 - 8		502369	...NUT, 3/8", Hex (Shown as Ref. 7a in Fig. 1)	4
2 - 9		513969	...STUD, 3/8" x 1 5/8"	4
2 - 10		502365	...NUT, 1/2", Hex (Shown as Ref. 7b in Fig. 1)	2
2 - 11		502674	...STUD, 1/2" x 1 7/8"	2

A-1 REDUCTION RELAY VALVE REPAIR PARTS KIT, PART No. 584120

Figure & Ref. No.	Customer Part No.	Wabtec Part No.	Description	Qty.
1 - 2		527560	GASKET , Ring, $\frac{5}{8}$ " O.D.	3
1 - 3		533212	GASKET , Ring, 1" O.D.	2
1 - 4		540542	GASKET , Ring, $1\frac{7}{8}$ " O.D.	1


Figure 3 - Part No. 660500

IMPORTANT NOTE: Should it be necessary to have any obstruction in line with the vent protector fitting and less than 5 inches from it, the obstruction **MUST BE** provided with a minimum $3\frac{1}{2}$ inch diameter opening. This opening **MUST BE** adequately protected on either side against possible accumulation of snow, ice, mud, or other restrictive elements in line with the vent protector fitting to prevent the slowing of emergency rate of exhaust.

WABCO Freight Car Products
www.wabtec.com

1001 Air Brake Avenue
Wilmerding, Pennsylvania 15148
(412) 825-1000 • Fax (412) 825-1019

475 Seaman Street
Stoney Creek, Ontario L8E 2R2
(905) 561-8700 • Fax (905) 561-8705