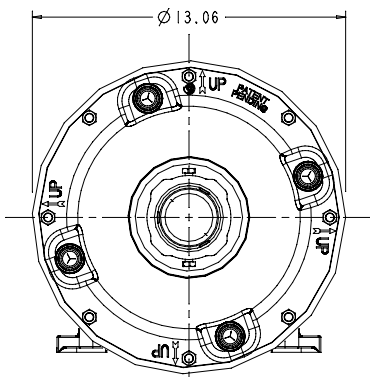
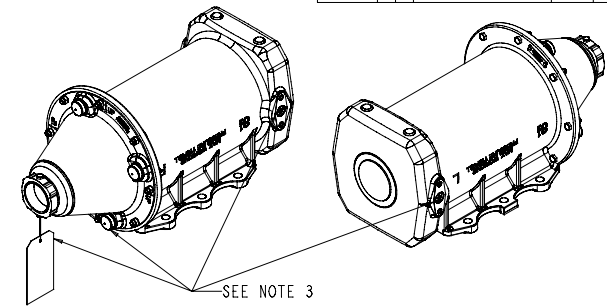
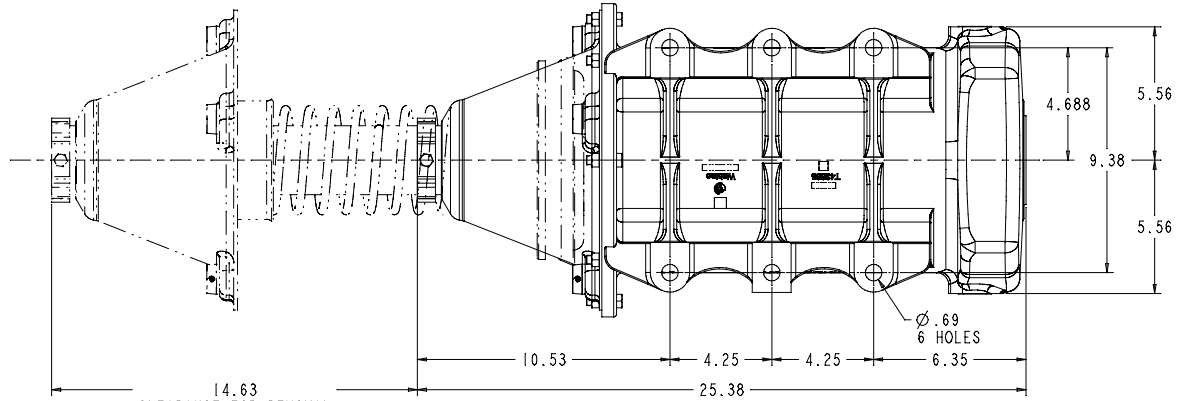
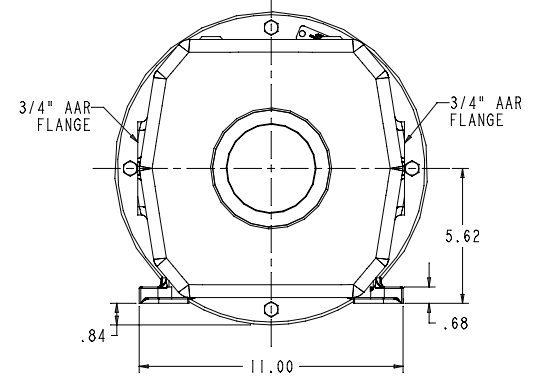
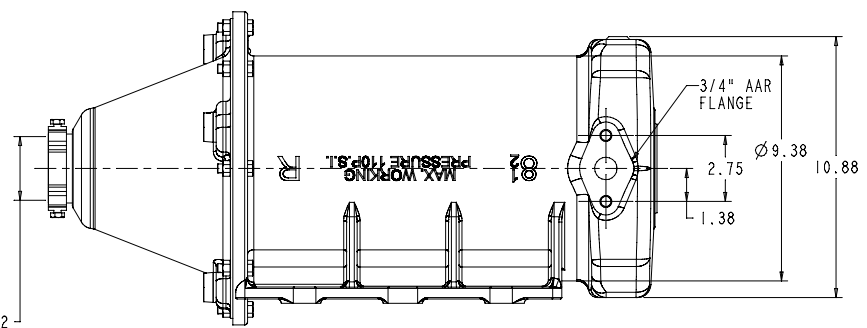


CURRENT REVISION	QC REV	DESCRIPTION	DATE	BY	APPR
A	A	CHG'D NOTE 3, SEE LGDN		F101198	JAO



2-21/32
INSIDE DIA. OF HOLLOW PUSH ROD
MAX. DIA. OF BALL END OF PUSH ROD
NOT TO EXCEED 2-3/8"



14.63
CLEARANCE FOR REMOVAL
SEE NOTE 2

- NOTES:
1. BRAKE CYLINDER, TYPE "ABU", 8-1/2" X 12".
 2. REMOVAL CLEARANCE SHOWN FOR INSTALLATION PURPOSES.
 3. DO NOT REMOVE THE VENT TAG OR THE (4) BREATHER VENT PROTECTORS UNTIL AFTER THE CAR HAS BEEN PAINTED.
 4. THE BRAKE CYLINDER CAN BE MOUNTED TO THE CAR BODY IN FOUR DIFFERENT ORIENTATIONS. IT CAN BE MOUNTED WITH THE FEET DOWN (AS SHOWN) OR WITH THE FEET TO THE LEFT OR TO THE RIGHT, OR TO THE TOP.
 5. WEIGHT: 148 LBS.

THIS DOCUMENT CONTAINS PROPRIETARY AND CONFIDENTIAL DATA OF WABCO. IT IS THE PROPERTY OF WABCO AND IS NOT TO BE REPRODUCED, COPIED, OR DISSEMINATED IN ANY MANNER WITHOUT THE WRITTEN PERMISSION OF WABCO.

IMPORTANT: DO NOT ATTEMPT TO DISASSEMBLE OR ASSEMBLE THIS DEVICE WITHOUT PRIOR THOROUGH STUDY OF THE APPROPRIATE WABCO OPERATION AND MAINTENANCE MANUAL. THIS DRAWING WAS PREPARED SOLELY FOR THE PURPOSE OF PROVIDING THE USER WITH BASIC APPLICATION DATA. IT DOES NOT CONTAIN ALL THE REQUIRED SPECIAL INSTALLATION AND MAINTENANCE INFORMATION FOR THE PROPER FUNCTIONING OF THIS PRODUCT.

BRAKE CYL. - ABU, 8-1/2 X 12 OUTLINE			
DATE	REV	BY	CHK
0.50	E	0667026-0000-00	00

