

EXHAUST VALVE HOUSING ASSEMBLY SUPPLY VALVE HOUSING ASSEMBLY

Torque Specifications

FEBRUARY, 1998

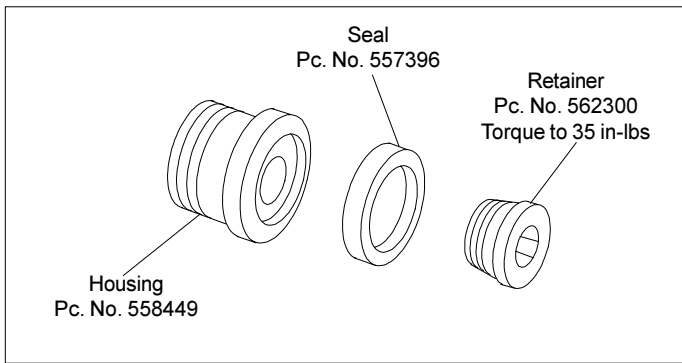


Figure 1 - Exhaust Valve, Pc. No. 558448

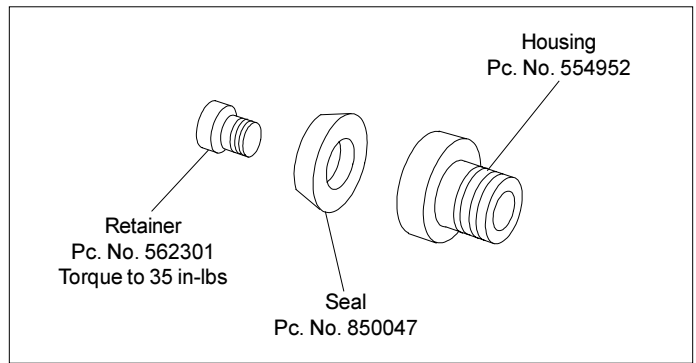


Figure 2 - Supply Valve, Pc. No. 554996

The Exhaust Valve assembly Pc. No. 558448, shown in Figure 1, is comprised of a Retainer Pc. No. 562300, Seal Pc. No. 557396, and Housing Pc. No. 558449. Whenever these three parts are assembled individually, the retainer **MUST BE torqued to 35 in-lbs** to prevent over compression of the rubber seal. These parts are listed individually in the following assemblies:

Valve:	Piece Number:	Valve:	Piece Number:
Exhaust Valve	558448	Brake Valve Portion	566829
Brake Pipe Cut-Off Valve	558486	C-2-W Relay Valve Portion	580252
Exhaust Valve	559412	Brake Valve Portion	581028
Brake Valve Portion	5620731000	26-E1-A Brake Valve Portion	581966
D-1 Emergency Valve	564786	C-2-W Relay Valve Portion	583682
Cut-Off Valve Portion	564911	26-B1-A Brake Valve Portion	589594
Exhaust Valve	564991	30-CW Module Portion	592865

The Supply Valve assembly Pc. No. 554996, shown in Figure 2, is comprised of a Retainer Pc. No. 562301, Seal Pc. No. 850047, and Housing Pc. No. 554952. Whenever these three parts are assembled individually, the retainer **MUST BE torqued to 35 in-lbs** to prevent over compression of the rubber seal. These parts are listed individually in the following assemblies:

Valve:	Piece Number:	Valve:	Piece Number:
Supply Valve	554995	Brake Valve Portion	581028
Supply Valve	554996	C-2-W Relay Valve Portion	583682
Brake Valve Portion	5620731000	26-B1-A Brake Valve Portion	589594
Brake Valve Portion	566829		