

WHEEL KIT INSTALLATION - ALUMINUM 2008 And Up Ford F-250/F-350 4x4

SAFETY PRECAUTIONS

If any installation problems are encountered, please call G&B Specialties Inc. for technical assistance before continuing with the installation process.



- Failure to heed to any of the following warnings could result in severe bodily injury and/or equipment damage.
- Read and understand this manual completely before attempting installation of the equipment.
- Installation instructions provided below only address the Rafna Industries railgear equipment. Applicable railway company procedures and policies must be adhered to.
- The road wheels and tires must be installed before the railgear is installed in order to obtain correct height measurements.
- Do not hit the wheel adapter with any hard objects as this could dent the adapter and cause vibrations when driving. If the adapters do not easily slide onto the hubs, lightly sand the hub and the inside of the adapter.
- Always disconnect the vehicle's battery when welding on the vehicle or railgear in order to protect the vehicle's electrical system.
- Before performing any work under the vehicle or railgear, ensure the engine is turned off and the parking brake is set.
- With the installation of the vehicle road wheels and tires, it is recommended to recalibrate the vehicle's speedometer.

INSTALLATION OF WHEELS AND TIRES

The following procedure details the installation of the wheels and tires required for the vehicle's tires to ride correctly on the rails and avoid contact with the vehicle.

Wheel And Tire Installation Kit (for 4 or 5 wheel)

Part Number	Description	Qty
R-32250	20" Aluminum Wheel	4 or 5
R-32197	140 ft-lbs Spacer Decal	4 or 5
R-32195	GOODYEAR Tire 275/65/R20	REF
R-2699	Turning Stop Block 2016 VEHICLES AND OLDER	2
R-2699C	Turning Stop Block 2017 VEHICLES	2

1. Remove the original front and rear wheels.
2. Based on rail contact area and load carrying capacity, G&B Specialties Inc. suggests the use of Goodyear Wrangler A/T Adventure w/ Kevlar (275/65/R20) tires for all wheels on the railgear equipped vehicle. However, at the installer's and/or railroad's discretion, an equivalently sized and rated tire may be used. Mount and balance the tires on the supplied wheels. Install TPMS sensors if required.
3. Affix the supplied wheel torque decals to the outside face of the wheels.
4. A new location must be found for the spare wheel. It cannot be mounted under the cargo box due to interference with the rear railgear.
5. Install the wheels:
 - a) Mount the wheels on the OEM hubs. No wheel adapter is necessary.
 - b) Using the OEM lug nuts, tighten and then torque to 140 ft-lbs dry. Do not over torque.
6. Install the front wheel turning stop blocks:
 - a) Position the turning stop blocks over the original turning stops on the steering knuckle. To verify their position is correct, fully turn the steering wheel until the front hub contacts the knuckle. The boss on the hub should contact the turning stop block squarely on. Repeat for the other side.
 - b) Fully weld the turning stop blocks to the steering knuckles once their position is correct.
7. Due to the modified wheel track on the railgear equipped vehicle, both front and rear tire and wheel clearances must be checked. With the wheels, tires, supplied adapters, and supplied turning stop blocks installed on the vehicle, ensure that the wheels, tires, and/or balance weights do not contact the vehicle suspension or steering components, the brake lines, the ABS lines and/or any other component/obstruction throughout the entire range of motion of the steering and suspension. It may be necessary to add or remove material from the turning stop blocks and/or to relocate brake lines, ABS lines, and/or other equipment in order to gain adequate clearances.

Ensure that any vehicle modifications are done in accordance with the vehicle manufacturer's or their representative's approval.

8. The front brake lines (driver/passenger side) need to be adjusted in order to maintain the proper clearance between the brake line and tire/wheel assembly.
(Refer to Figure 1, Figure 2, and Figure 3)
 - A. Using a tube bender, bend the brake line at the brake calliper approximately 15 - 20 degrees away from the wheel. (Figure 1).
 - B. Bend the brake line support bracket towards the coil spring, leaving a small amount of room between the coil spring and bracket without touching (Figure 2) (Figure 3).
 - C. Check for interference, insure that the brake line tubing and hoses clear the vehicle wheel by a minimum of $\frac{3}{4}$ " when the tires are in the straight position, and that the brake line and ABS line are not stretched throughout the entire range of motion when turning the wheels all the way left, or all the way right.
9. The speedometer will need to be recalibrated due to the change in tire size.
 - Bigger tires will cause your speedometer to register a speed that is slower than your actual speed.
10. The vehicle will need to have a wheel alignment done. After the wheel kit is installed and the railgear is hung.
11. The tire pressure sensors (if equipped) will need to be calibrated to learn new position. For this wheel kit, follow the OEM recommendations as outlined in the vehicles owner manual.



Figure 1
BRAKE LINE BENT AT APPROX. 15-20 DEGREES



Figure 2
Support Bracket - before bending

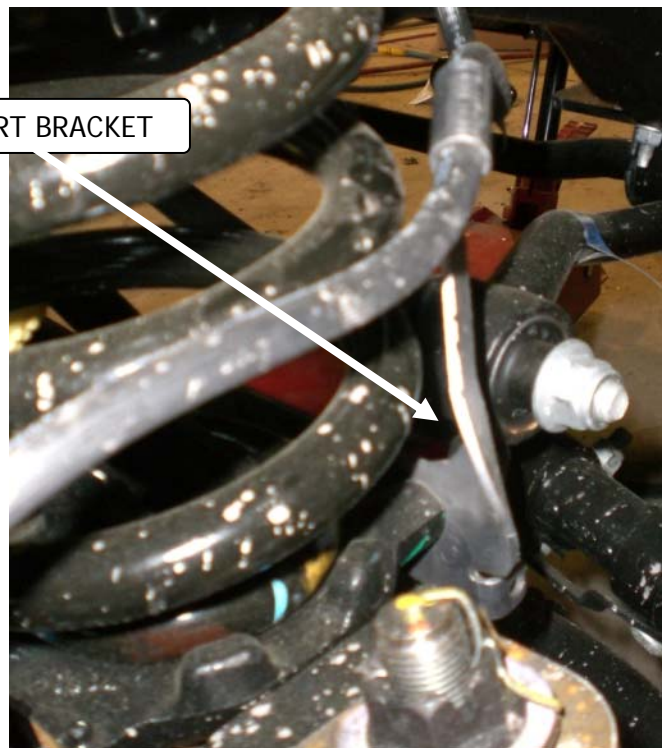
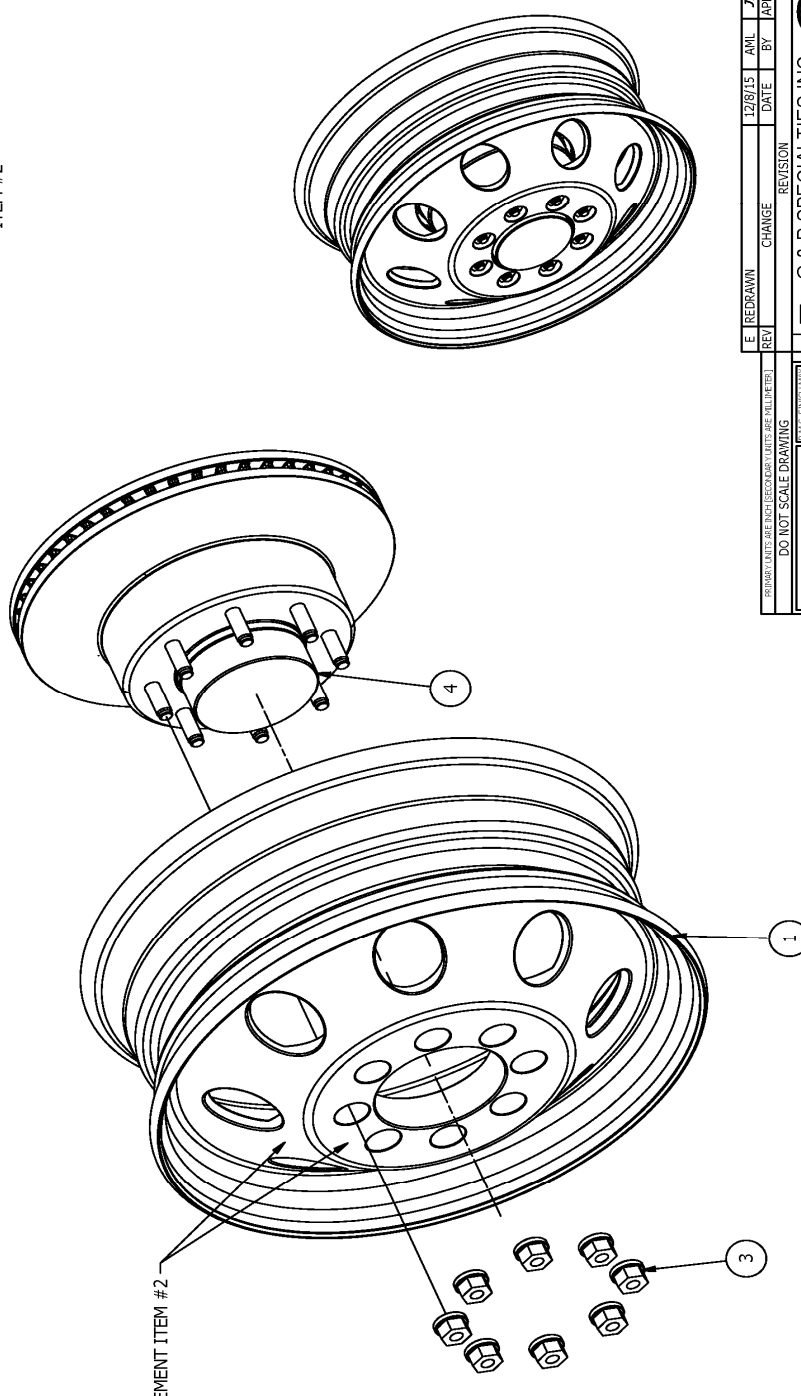


Figure 3
Support Bracket - after bending

ITEM	QTY	PART NUMBER	DESCRIPTION
1	1	R-32250	WELD 20" ALUMINUM WHEEL
2	1	R-32197	TORQUE DECAL
3	-	-	OEM LUG NUT
4	-	-	OEM HUB



RECOMMENDED PLACEMENT ITEM #2

WHEEL LUG NUT TORQUE
140 FT-LBS DRY
R-32197

ITEM #2

REV	REDAWN	CHANGE	DATE	AWL	BY	APPRO
E			12/8/15			JL

REV	REVISION
1	DESIGN - ENGINEERING - MANUFACTURING

G & B SPECIALTIES INC. MANUFACTURER OF QUALITY TRAILER PRODUCTS. BERWICK/PENNSILVANIA (570)752-5901 FAX (570)752-6397	DESIGN - ENGINEERING - MANUFACTURING WHEEL KIT, ALUMINUM INSTALLATION 2008-UP FORD SD-4X4
--	--

DRAWING NUMBER: K-M28ALF001	DATE DRAWN: 12/8/15	SHEET NUMBER: 1 OF 1	SECTION: E
-----------------------------	---------------------	----------------------	------------

DO NOT SCALE DRAWING

REFER UNITS TO EACH DIMENSION (UNITS ARE MILLIMETER)

TOLERANCE UNLESS OTHERWISE SPECIFIED	FRACTIONS	DECIMALS	ANGLES
BASIC DIMENSIONS	+/- .125	+/- .005	+/- .010
ANGLES	+/- .01	+/- .01	+/- .015
ANGULAR DIMENSIONS	+/- .10'	+/- .10'	+/- .10'

ALL WELDS TO CONFORM TO AWS D11

OPERATION AND SERVICE OF WHEEL KIT

SAFETY PRECAUTIONS

If any operating, services or parts problems are encountered, please call G&B Specialties Inc. for technical assistance.



- Failure to heed to any of the following warnings could result in severe bodily injury and/or equipment damage.
- Read and understand this manual completely before attempting operation of the railgear equipped vehicle.
- Operating instructions provided below only address the Rafna Industries railgear equipment. Applicable railway company procedures and policies must be adhered to.
- Railway company rules governing rail travel must be observed at all times.
- Before performing any work under the vehicle or railgear, ensure the engine is turned off and the parking brake is set.
- This vehicle has an increased turning radius and decrease stability and braking ability. Use caution when operating both on road and rail.
- Following the first 25 miles (40 km) of road and rail travel, the road wheel and adapter lug nuts must be re-torqued. Refer to the service section of this manual for the procedure.
- Never operate the vehicle if the Gross Vehicle Weight Rating (GVWR), Gross Axle Weight Rating Front or Rear (GAWR), or the wheel or tire load ratings are exceeded.

OPERATION OF WHEEL KIT

With the wheels and tires installed on this vehicle, it may be operated as normal, however caution must be used as the vehicle now has an increased turning radius and decreased stability and braking ability both on road and rail.

Never operate the vehicle if the Gross Vehicle Weight Rating (GVWR), Gross Axle Weight Rating Front or Rear (GAWR), or the wheel or tire load ratings are exceeded.

SERVICE OF WHEEL KIT

The wheels and tires must be serviced regularly to avoid damage to the equipment.

If ever vibrations are felt through the vehicle, inspect the balance and alignment of the road wheels and tires.

SERVICE/INSPECTION REQUIREMENTS

- Visually inspect wheels & tires daily that they are in safe operating condition.
- Check lug nut torque at installation.*
- Check the lug nut torque 25 miles (40km) after wheel/tire change and every 6 months thereafter.*
- Check/adjust tire pressure as/if required.

TIRE BALANCE/ROTATION

- Balance and Rotate as necessary/recommended by tire manufacturer. Verify that balance weights placed on inside bead of rim are clear of obstructions.

WARNING/CAUTION

- Never use anti-seize on studs or lug nuts.
- Hand torque to specifications, do not use pneumatic tools.
- Always inspect the condition of the wheel before and after service.
- Loose lug nuts can lead to metal fatigue and ultimately to wheel failure or broken studs.

WELD ALUMINUM WHEEL TORQUE SPECIFICATION: 140 FT-LBS DRY*
RECOMMENDED TIRE PRESSURE: 85 PSI

Torque Service/Specification per manufacture recommendation