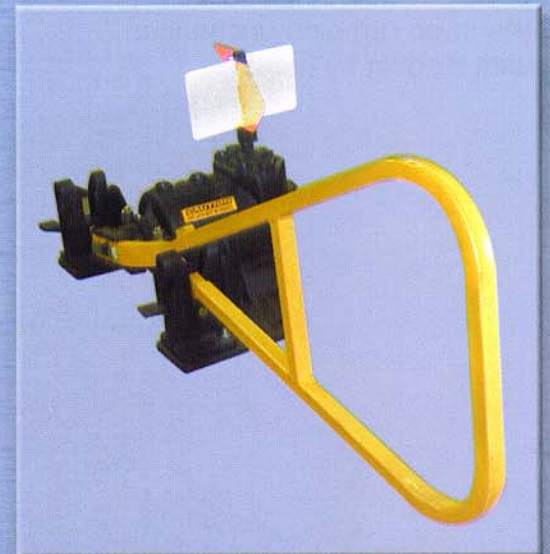
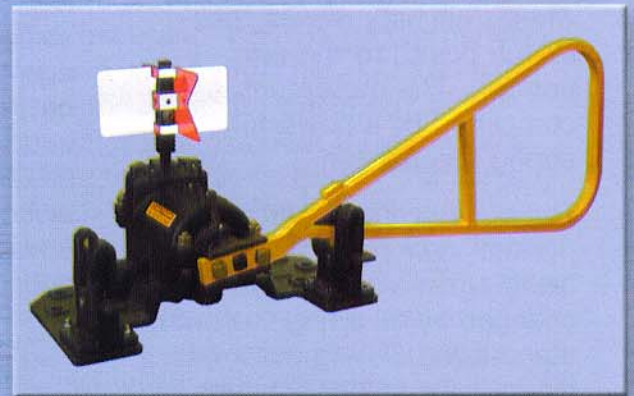


BACK SAFER[®]

TRAILABLE SWITCH

STANDS, 12 RT, 12 RTH



*On track for a faster, safer and
more scientific way to run a
railroad*



G & B SPECIALTIES, INC.

P.O. BOX 305 • BERWICK, PA 18603
PHONE: 570-752-5901 • FAX: 570-752-6397
Visit us on the WEB at:
www.gandbspecialties.com

BACK SAFER® 12RT MANUAL SWITCH STANDS FROM G&B SPECIALTIES

A faster, safer and more scientific way to run a railroad

SAFE DEPENDABLE OPERATION

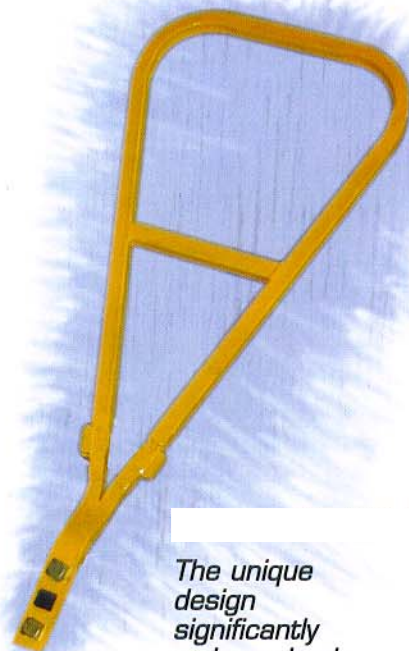
The BACK SAFER® 12RT and 12RTH switch stands are engineered to withstand thousands of trailing movements. In a "run-through" movement, the first set of wheels partially moves the switch points to the new position. The movement is completed by a powerful spring mechanism.

The points remain in the new position until reset by the switch being again "run-through", or changed by throwing the switch stand lever. During automatic trailing, the target changes with the points so that the switch point position is indicated, but the lever remains unchanged until thrown by hand.

BACK SAFER® ERGONOMIC THROWING LEVER

The BACK SAFER® bow handle is available **exclusively** from G&B Specialties. This unique design, significantly reduces back stresses while increasing leverage efficiency. BACK SAFER® bow handles are powder coated and available upon request. The BACK SAFER® 12RT and 12RTH switch stands can also be furnished with the conventional counter weighted throwing lever.

Exceeding
OSHA
Standards



The unique design significantly reduces back stresses while increasing leverage efficiency.



All Back Safer® Model 12 RT Switch Stands are provided in black powder coating with the Back Safer® Bow Handle in safety yellow powder coating. Other colors available upon request.



G & B SPECIALTIES

Berwick Industrial Complex
P.O. Box 305 Berwick, PA 18603
Send email to: sales@gandbspecialties.com
Phone: (570)752-5901 • Fax: (570)752-6397

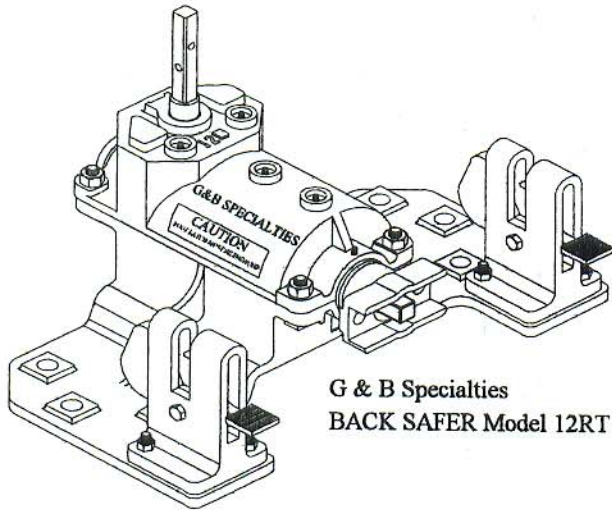
ORDER FORM

Company: _____ Fax: _____

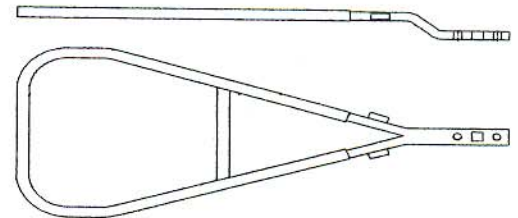
Contact Name: _____ Phone: _____

Our part number for the **Back Safer® Model 12 RT** without a Connecting Rod, target & Handle is **897500X**. The following are optional, and if you need a quote, check the appropriate boxes, copy and fax this sheet to sales at: (570)752-6397.

- | | |
|--|---|
| <input type="checkbox"/> Standard Red/White Target | <input type="checkbox"/> Bowhandle |
| <input type="checkbox"/> No Options | <input type="checkbox"/> Counter-weighted Lever |
| <input type="checkbox"/> Connecting Rod | Description: _____ |
| <input type="checkbox"/> Other _____ | |



G & B Specialties
BACK SAFER Model 12RT



BACK SAFER®
BOW HANDLE



STANDARD COUNTERWEIGHT
THROW LEVER

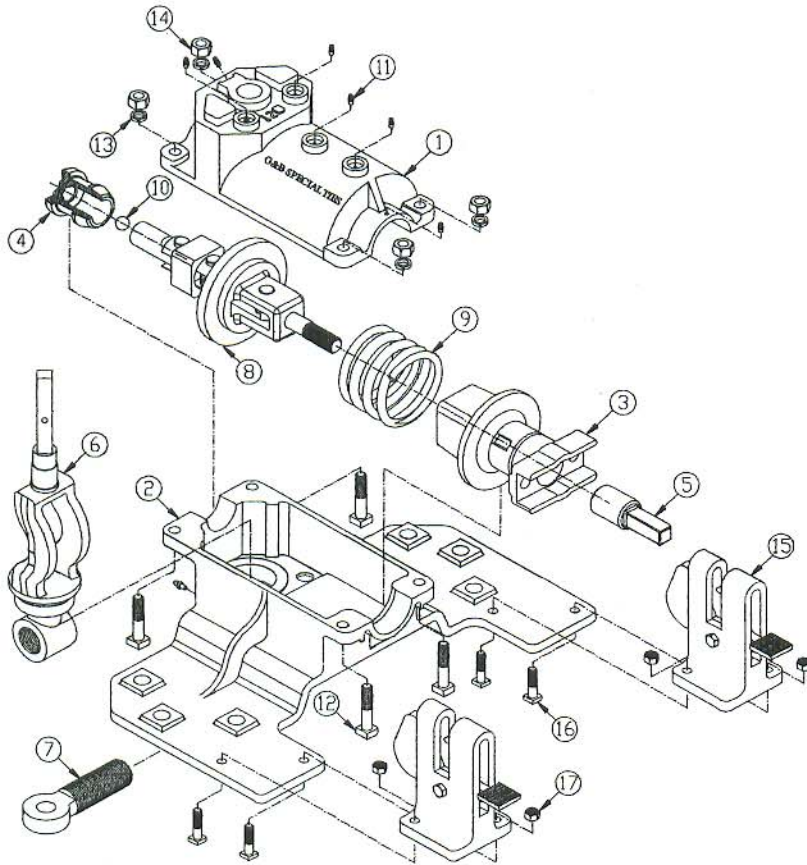
G&B Specialties, Inc. BACK SAFER® Model 12RT Stand

For Further information, please call our sales office at: (570)752-5901, or



Visit us on the web at: www.gandbspecialties.com

COMPONENT PARTS FOR BACK SAFER[®] Model 12RT Switch Stand



STRONG, STURDY CONSTRUCTION

The BACK SAFER[®] 12RT and 12RTH switch stands have been designed with high quality components, including heavy duty housings.

The number of working parts has been kept to a minimum. Vital parts such as the swivel link, link and pins, and screw-eye crank are heat treated for extra strength and durability.

A minimum amount of maintenance is required, consisting merely of occasional lubrication of six easily reached points on the top of the housing. The mechanism can be inspected quickly by removing the housing cover that is fastened by four bolts.

The BACK SAFER[®] 12 RT and 12RTH switch stands feature an adjustable screw-eye crank and connecting rod for precise and accurate setting of the points.

ITEM #	PART #	DESCRIPTION
1	897501	Machine Top
2	897502	Machine Bottom
3	897504	Spring Retainer
4	897505	Thrust Bushing
5	897506	Spring Adjuster Nut
6	897507	Spindle
7	897508	Crank Eye
8	897510X	Spring Retainer Assembly
9	897511	Spring, 6 ¹ / ₂ OD x ¹³ / ₁₆ Wire x 6 ⁵ / ₈
10	897512	Ball Bearing
11	990900-001	Fitting, ¹ / ₄ Drive
12	990220-300-02	Bolt, ⁵ / ₈ x 3 Square Head
13	990403-062-02	Washer, ⁵ / ₈ X-Duty Lock
14	990331-062-02	Nut, ⁵ / ₈ Heavy Hex
15	897513X	Latch Stand Assembly
16	990222-301-02	Bolt, ¹ / ₂ x 2 Square Thin Head
17	990338-050-02	Nut, ¹ / ₂ Heavy Hex Steel Lock
18	XLG-2000	Grease, Lubco Long Life
19	897514A	Sticker, Foot Lever Caution
20	897514B	Sticker, Grease Instructions

