

Back Safer

Model 36 & 36H Manual Switch Stands

The **Back Safer Model 36 and 36H** are ergonomically engineered, extra-heavy-duty switch stands for unrestricted use. Both models have identical base housing and operating parts. The 36 is most often used for yard operations, while the 36H, with high mast and target, is suitable for mainline use.

Ergonomic Design for Operator Safety

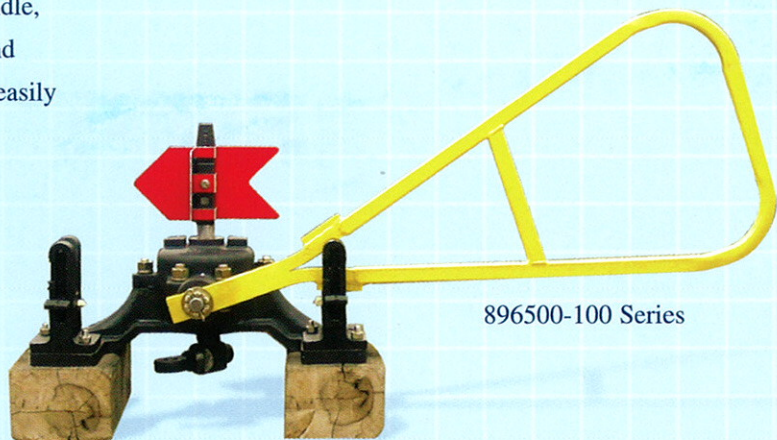
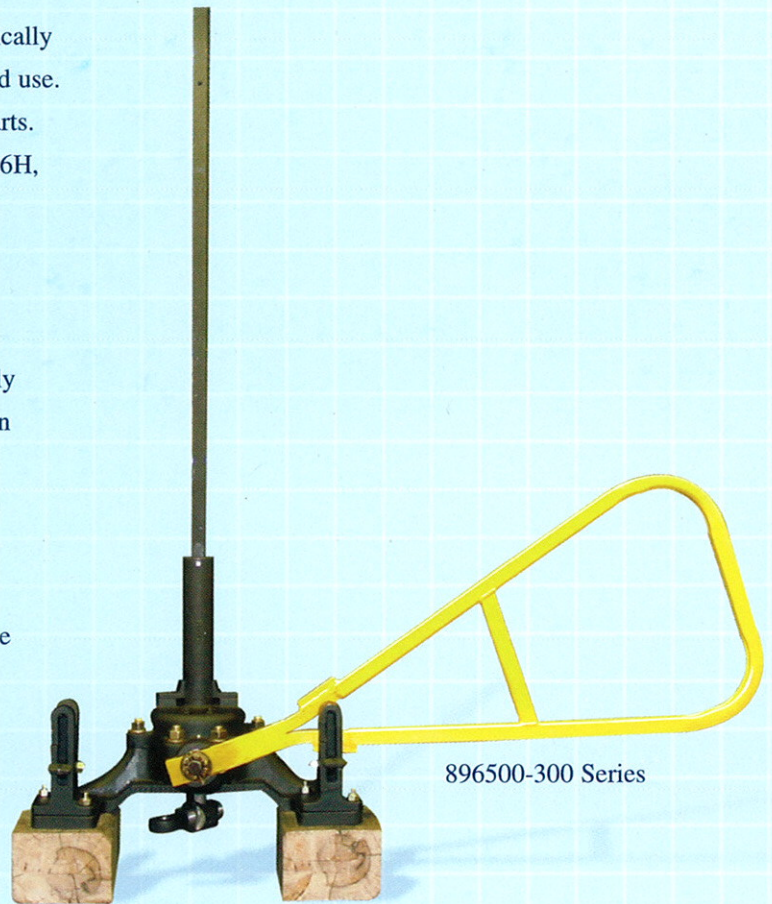
The patented Back Safer Bow Handle is 30% lighter than standard counterweights. Its ergonomic design significantly reduces the risk of back injuries. The switch can be thrown with minimal operator motion.

Easy Installation and Adjustment

Adjustment features on the Back Safer 36 and 36H allow for easy installation in varied configurations. An adjustable connecting rod, screw eye and replaceable latch stands permit accurate setting of the points without respiking the stand. The Back Safer Bow Handle and yoke are also available for retrofit to existing model 36 switch stands.

Strong, Sturdy Construction

The Back Safer Model 36 and 36H have been designed with high quality components, including heavy duty housings. The number of working parts has been kept to a minimum. The extra large surfaces of the few wearing parts assure long life and minimize lost motion. Vital parts such as the spindle, crank, and screw eye are heat treated for extra strength and durability. Maintenance merely consists of greasing four easily reached points on the switch stand. Periodic inspection is recommended to insure internal components are working properly.



G&B Specialties, Inc.

P.O. Box 305, Berwick, PA 18603 • Phone 570.752.5901 • Fax 570.752.6397 • www.gandbspecialties.com