

821 Hand Operated Switch Machine

Description:

G&B Specialties' s 821 Switch Machines are typically used where lock protection is required to help safeguard the movement of high speed mainline traffic over a switch. These machines use a rack and escapement type mechanism and each unit includes a circuit controller.

The complete mechanism is enclosed in a rugged cast iron case with a lockable cover. Any 821 configuration can be ordered with a target staff. These switch machines contain a lock bar which in the normal position enters the lock rod notch. This arrangement locks the switch points in their normal position to provide facing point lock protection. The driving mechanism with escapement crank also locks the switch in either extreme position.

The circuit controller can be configured with or without reverse detection. The standard has two normally open and two normally closed contacts which are operated by the lock bar and point detector bar. The controller with reverse point detection contains four additional contacts that indicate points in the reverse direction.

While the 821 can be ordered for Left or Right layout or point normally closed, the internals can be reconfigured to either hand.

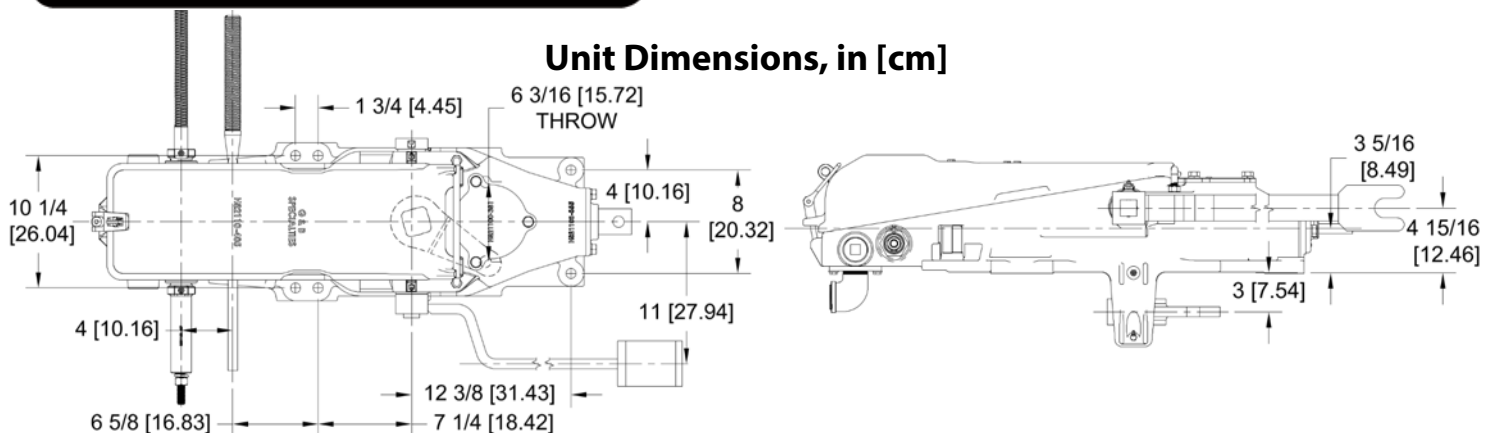


*Latch Stands are ordered separately

Advantages:

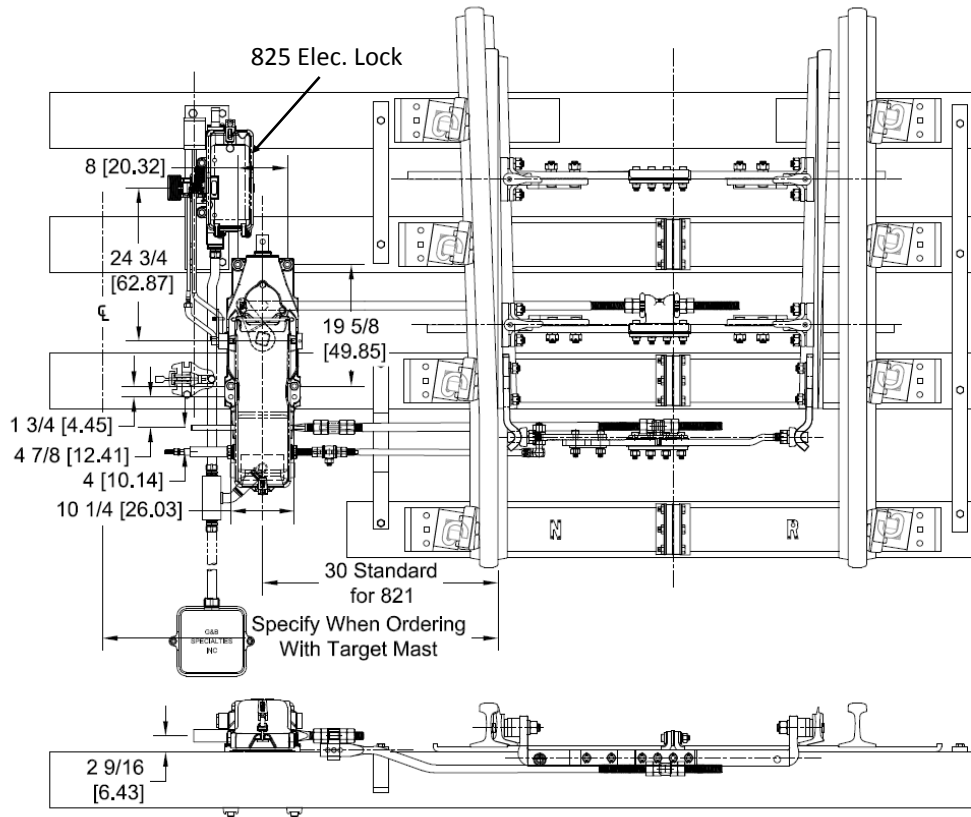
- Useful where facing point lock protection is needed.
- Positive switching action.
- Rugged construction
- Variety of additional accessory products available upon request:
 - Latch Lock Rods
 - Mounting Plates
 - Target Mechanisms at different heights.
 - Light Weight Cover
 - Switch Machine Aluminum Color Variation
 - Target Color Variations
- Can be used in conjunction with the 825 or the 854 electric lock.

Unit Dimensions, in [cm]

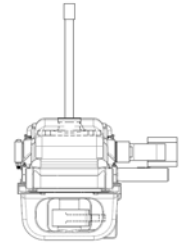


821 Hand Operated Switch Machine

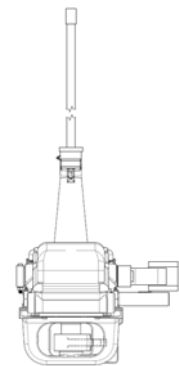
Typical 821 Switch Layout, in [cm]



Low Target Staff
821101-2XX Series



High Target Staff
821101-3XX Series



Ordering Information:

- Refer to ordering tabulation below or please give us a call for 821 configuration part numbers.
- Target staff can be ordered separately and works with all 821 configurations.
- If ordering a 821 machine for a new switch layout, please supply all trackwork drawings or measurements; contact G&B for needed engineering assistance.
- Refer to G&B catalog page B-22 for point detector gauges.
- Refer to manual 8211 for replacement parts.
- Internal Lock Rod to be ordered separately.

Model Number	Contacts	Reverse Pt. Det.	Switch Layout	Point Closed	Staff
821101-100-00	2 Open, 2 Closed	-	Right-Hand	Right-Hand	No Staff
821101-100-01	2 Open, 2 Closed	-	Right-Hand	Left-Hand	No Staff
821101-100-10	2 Open, 2 Closed	-	Left-Hand	Right-Hand	No Staff
821101-100-11	2 Open, 2 Closed	-	Left-Hand	Left-Hand	No Staff
821101-110-00	2 Open, 2 Closed	X	Right-Hand	Right-Hand	No Staff
821101-210-00	2 Open, 2 Closed	X	Right-Hand	Right-Hand	Low Staff
821101-310-00	2 Open, 2 Closed	X	Right-Hand	Right-Hand	High Staff

G&B Specialties

P.O. Box 305
535 West Third Street
Berwick, PA 18603
570-752-5901
www.gandbspecialties.com



Rev B 09-03-2019