

# VAPOR<sup>®</sup> Voice Annunciator

## *The Smart, Economical Solution*

Concerned about passengers standing too close to the exit doors while the bus is in motion?

Want to make short announcements only in the exit door area?

Want to do this without the time and expense of interfacing to the vehicle public address system?

**The Vapor Voice Annunciator answers these questions simply and economically.**



### **The Vapor Voice Annunciator can provide a message:**

- When a passenger leans on or moves too close to the door while bus is underway
- When the driver has enabled the exit door to warn that the doors may open
- When an obstruction has been detected
- When the doors are about to close

### **The Vapor Voice Annunciator:**

- Is fully automatic
- Can operate in conjunction with a CLASS<sup>®</sup> Controller or independently with compatible inputs
- Is packaged in a compact, rugged enclosure for easy installation in the header space or the doorway area.
- Uses digitally recorded messages for clear announcements in your choice of languages
- Fully solid-state for long life and low maintenance.
- Can be installed on new vehicles or retrofitted to existing CLASS III systems.

The Vapor Voice Annunciator can store and deliver multiple messages in your choice of languages. Messages in English and Spanish are included. Additional messages and/or other languages can be provided at an additional cost.

The Vapor Voice Annunciator – A smart solution for making exit door announcements.

**Contact your Vapor representative for more information and a demonstration.**

Designed for use with the CLASS Contact-Less Acoustic Sensing System, the Vapor Voice Annunciator can make short pre-recorded human voice announcements in response to inputs from the CLASS Controller or other compatible sources.



*The BEST keeps getting BETTER*

# VAPOR® Voice Annunciator

## FEATURES

- 4 standard messages In English and Spanish
- 1 MB flash memory
- Adjustable volume – software controlled

## OPTIONAL

- CLASS interface cable

## TECHNICAL SPECIFICATIONS

### Design Life

- 12 years

### Power Supply

- Operating Voltage: 12VDC, 24VDC or 42VDC nominal
- Minimum Operating Voltage: 10VDC
- Maximum Operating Voltage: 42VDC
- Total System Power Consumption: 30W max.

### Inputs

- Working voltage range is same as main power voltage specification. Inputs shall guarantee as ON when voltage is above 4V and guarantee detection as OFF when below 0.5V

### Temperature Range

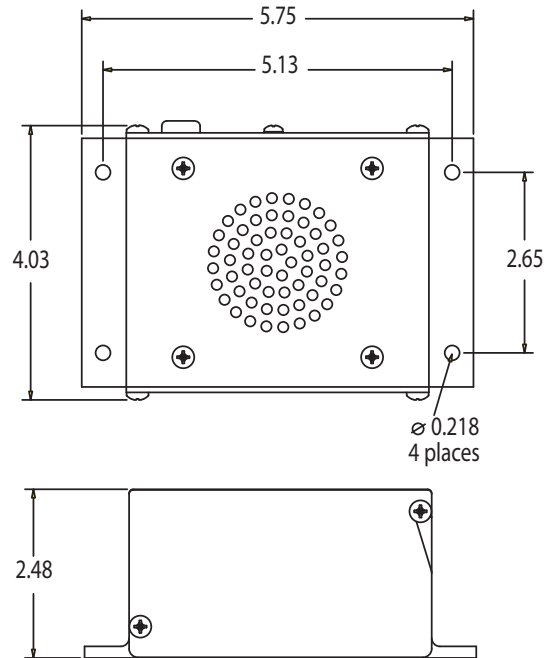
- -40° F to 185° F (-40° C to 85° C)

### Speaker

- 3.5", heavy-duty, waterproof
- 12 watt RMS, 300 to 4,500 Hz
- Sound Level: 90db at 3 feet

### Enclosure

- Anodized aluminum
- Mounts inside door header or on a flat surface adjacent to door opening



1010 Johnson Drive  
Buffalo Grove, Illinois 60089 USA  
Phone: 847.777.6400  
Fax: 847.520.2222  
Email: vaporbusinfo@wabtec.com  
www.vapordoors.com

Bulletin No. 53-3098 9-2008 Printed in U.S.A.

U.S. and foreign patents issued and/or pending are applicable to the products described and illustrated herein. Vapor, Vapor Bus International and CLASS are registered trademarks of the Wabtec Corporation. Vapor reserves the right to discontinue products or change product specifications or designs at any time without notification.

