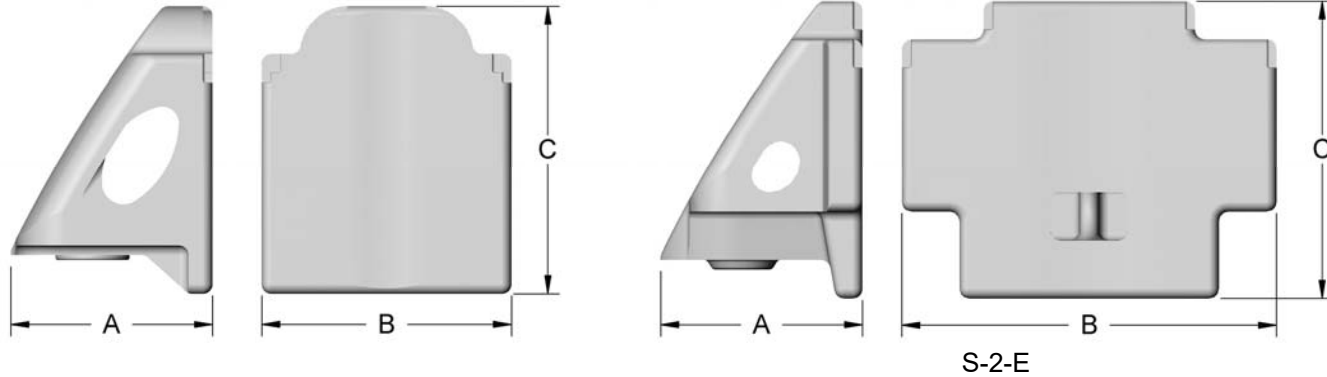


Barber Iron Wedges



Truck Type	Iron Wedge	Bearing Size*	Spring Travel	No. of Side Springs	A	B	C	Drawing Number
S-2-A	606-C	5 1/2 x 10	D3	1	3 3/4	5	7 1/4	2296
	609-D	6 X 11 6 1/2 X 12	D3	2	4 1/4	5 1/2	7 1/2	2295
	762-C	7 x 12	D3	2	4 3/8	6 1/2	7	3828
S-2-B	675-C	5 x 9 5 1/2 x 10	D4	1	3 3/4	5	7	2846
	678-C	6 x 11	D4	1	4 1/8	5 1/2	6 3/4	3027
	787-C	6 x 11 6 1/2 x 12	D4	2	4 1/8	5 1/2	6 3/4	3973
	762-C	7 x 12	D4	2	4 3/8	6 1/2	7	3828
S-2-C	675-C	5 x 9 5 1/2 x 10	D5	1	3 3/4	5	7	2846
	678-C	6 x 11	D5	1	4 1/8	5 1/2	6 3/4	3027
	787-C	6 x 11 6 1/2 x 12	D5	2	4 1/8	5 1/2	6 3/4	3973
	762-C	7 x 12	D5	2	4 3/8	6 1/2	7	3828
S-2-D	876	6 1/2 x 12	D5 D7	2	5 1/2	7	7 1/2	5534
S-2-HD S-2-HD-9C	834-CB	6 1/2 x 12 7 x 12	D5	2	5 1/4	6 1/2	7 1/2	4734
S-2-E	917-C	6 x 11 6 1/2 x 12	D5	2	5 1/4	9 3/4	7 3/4	6107

* All wedges listed for 6 1/2 x 12 bearings are fully compatible with 6 1/2 x 9 bearings.

Always Use Original
Barber Parts



Wabtec, Standard Car Truck

6400 Shafer Court – Ste 450, Rosemont, Illinois 60018, U.S.A.
Telephone: 847-692-6050 Fax: 847-692-6299

Not A
Controlled
Document