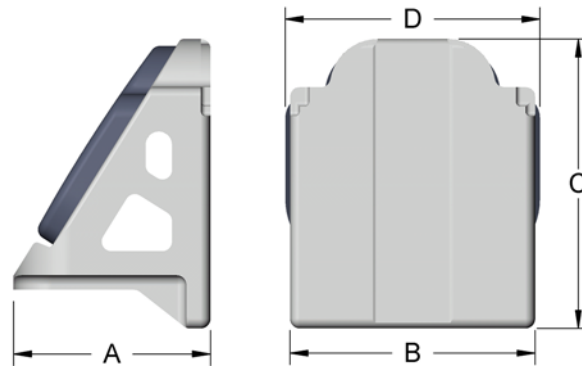


Barber LifeGuard Wedges



Truck Type	LifeGuard Wedge	Bearing Size*	Spring Travel	No. of Side Springs	A	B	C	D	Drawing Number
S-2-A	913-LG-N	6 x 11	D3	2	4 1/8	5 1/4	6 3/4	5 5/8	5777
	913-LG-R	6 1/2 x 12							
S-2-B	888-LG-N	6 x 11	D4	2	4 1/8	5 1/4	6	5 5/8	5456
	888-LG-R	6 1/2 x 12							
S-2-C	888-LG-N	6 x 11	D5	2	4 1/8	5 1/4	6	5 5/8	5456
	888-LG-R	6 1/2 x 12							
S-2-D	877-LG	6 1/2 x 12	D5 D7	2	5 1/4	6 3/4	7 1/2	7 1/8	5656
S-2-HD S-2-HD-9C	950-LG	6 1/2 x 12	D5	2	5 1/8	6 3/8	7 1/2	6 5/8	5829

* All wedges listed for 6 1/2 x 12 bearings are fully compatible with 6 1/2 x 9 bearings.

Wedges are sold as shown above, or individual components can be purchased separately as shown below

LifeGuard Wedge Components		
Wedge	Casting	Pad
913-LG-N	913	5453-N
913-LG-R	913	5454-R*
888-LG-N	888	5453-N
888-LG-R	888	5454-R*
877-LG	877	877-N
950-LG	950	5914

* Pad is used for rebuild situations to reduce the amount of welding required to the bolster pocket



Casting



Pad

Always Use Original
Barber Parts



Wabtec, Standard Car Truck

6400 Shafer Court – Ste 450, Rosemont, Illinois 60018, U.S.A.
Telephone: 847-692-6050 Fax: 847-692-6299

Not A
Controlled
Document