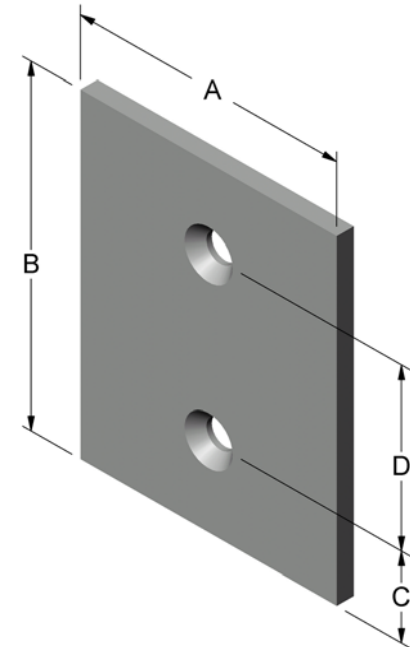


# Type-3 Column Wear Plates (Bolt Only or Bolt and Weld)

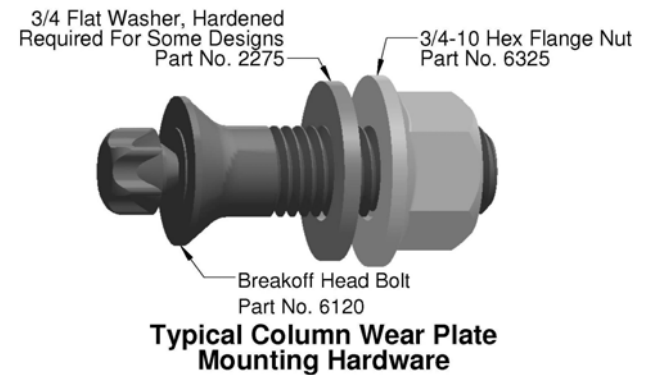
Wear Plate Part Number By Thickness				Dimensions			
3/8	7/16	1/2	9/16	A	B	C	D
5706-301				4 1/2	8 1/2	1 5/8	5 1/4
5706-327				5	7 3/4	1 1/4	5 1/4
5706-302	5707-310	5708-302	5709-301	5	8 1/2	1 5/8	5 1/4
5706-328	5707-314	5708-303		5	8 3/4	1 3/4	5 1/4
5706-322				5	9	1 7/8	5 1/4
	5707-303			5 1/2	8	1 3/8	5 1/4
5706-303	5707-307	5708-304	5709-302	5 1/2	8 1/2	1 5/8	5 1/4
5706-304	5707-305	5708-305	5709-309	5 1/2	8 3/4	1 3/4	5 1/4
5706-315				5 1/2	9	1 7/8	5 1/4
			5709-311	5 1/2	10	2 1/4	5 1/2
5706-320				5 1/2	10 3/8	2 9/16	5 1/4
5706-324				6	7 3/4	1 1/4	5 1/4
5706-334				6	8	1 3/8	5 1/4
5706-318	5707-308	5708-309	5709-306	6	8 7/16	1 19/32	5 1/4
5706-310		5708-308		6	8 11/16	1 23/32	5 1/4
5706-311				6	8 15/16	1 27/32	5 1/4
5706-323	5707-312			6	9	1 7/8	5 1/4
5706-307	5707-316	5708-318	5709-310	6 1/2	9 1/4	2	5 1/4
5706-330				7 1/2	7 1/4	1	5 1/4
5706-314	5707-306	5708-311		7 1/2	7 1/2	1 1/8	5 1/4
5706-312		5708-313		7 1/2	7 3/4	1 1/4	5 1/4
	5707-301			7 1/2	8	1 3/8	5 1/4
5706-317	5707-309	5708-310	5709-303	7 1/2	8 1/16	1 13/32	5 1/4
5706-309	5707-302	5708-307	5709-308	7 1/2	8 5/16	1 17/32	5 1/4
5706-319	5707-315	5708-312		7 1/2	8 1/2	1 5/8	5 1/4
5706-313		5708-317		7 1/2	8 9/16	1 21/32	5 1/4
5706-306	5707-311	5708-314	5709-307	7 1/2	8 15/16	1 27/32	5 1/4
5706-329				7 1/2	9 3/16	1 31/32	5 1/4
5706-305	5707-304	5708-306	5709-304	7 1/2	9 7/16	2 3/32	5 1/4
5706-326	5707-313	5708-301	5709-305	7 1/2	9 7/16	2 11/32	4 3/4
		5708-316		7 1/2	9 15/16	2 11/32	5 1/4
5706-308				8	9 7/16	2 3/32	5 1/4
5706-325				8	9 15/16	2 11/32	5 1/4
5706-332		5708-319		8 1/2	9 7/16	2 3/32	5 1/4
		5708-325		8 1/2	10	2 5/8	4 3/4
		5708-324		8 1/2	10 7/16	2 27/32	4 3/4
5706-333				8 15/16	9 7/16	2 3/32	5 1/4
5706-331				9	9 1/8	1 15/16	5 1/4
5706-335	5707-318	5708-322	5709-313	10	7 7/8	1 11/16	4 1/2
5706-316	5707-317	5708-321	5709-312	10	8 1/2	1 5/8	5 1/4
5706-338				10	9	1 7/8	5 1/4
5706-336	5707-319	5708-323	5709-314	10	9 1/2	2 1/8	5 1/4
		5708-320		10	10	2 5/8	4 3/4



Material: Hot wrought carbon steel bar, quenched and tempered to 365-415 BHN.

Finish: 85% scale free.

All wear plates flat within .025" TIR.



For application, see section 4-C.

Always Use Original  
Barber Parts



**Wabtec, Standard Car Truck**

6400 Shafer Court – Ste 450, Rosemont, Illinois 60018, U.S.A.  
Telephone: 847-692-6050 Fax: 847-692-6299

Not A  
Controlled  
Document